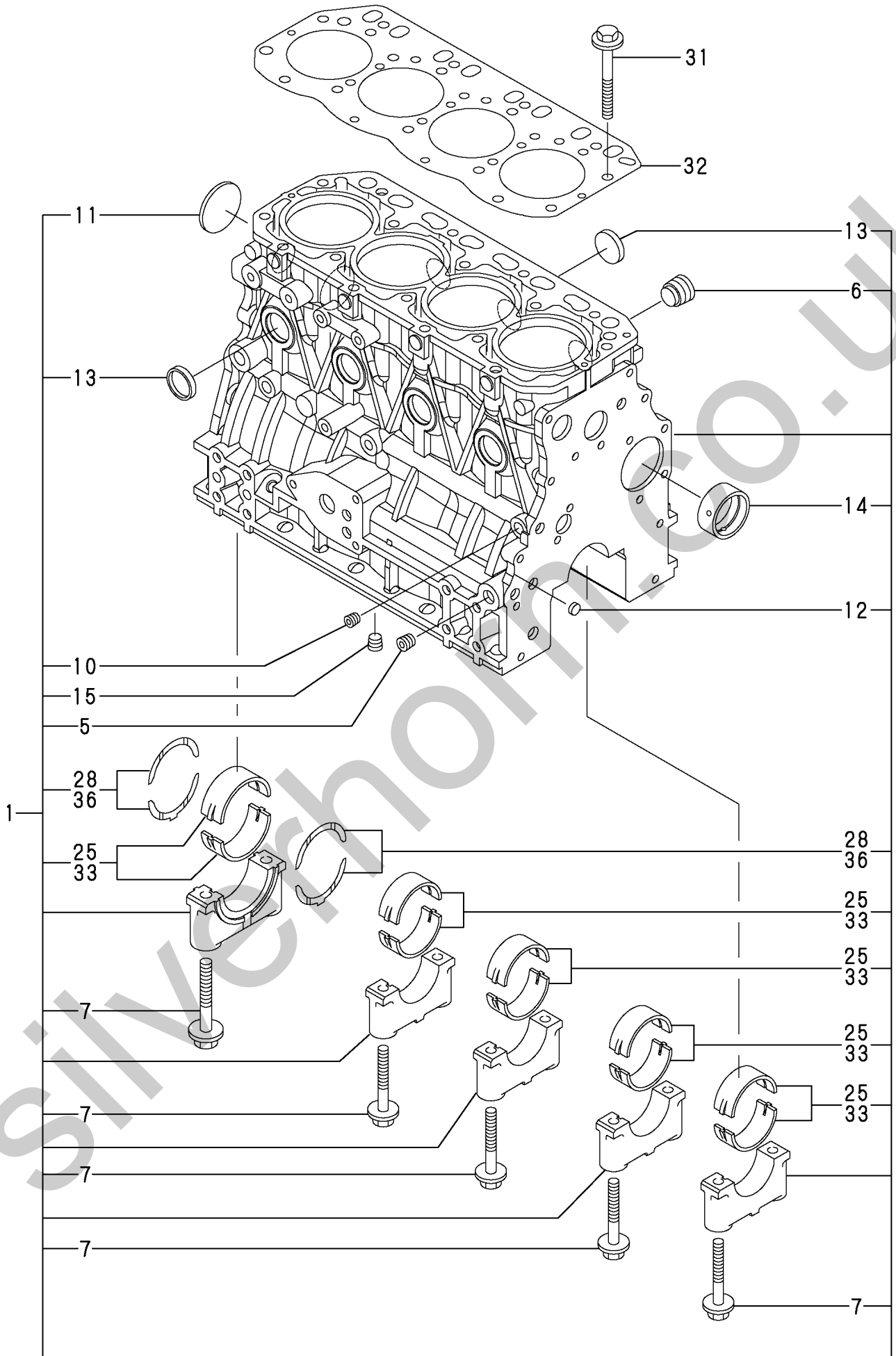


[Info]
PcNo=Y00B7120
PcName=4TNV88-XBVB
JpnUse=0
JpnSec1=fGf`fWf`
JpnSec2=-§ -
JpnSec3=TNV
JpnPreface=0
EngUse=1
EngSec1=ENGINE
EngSec2=SMALL VERTICAL (ViO)
EngSec3=TNV
EngPreface=0

Silverhorn.CO.UK

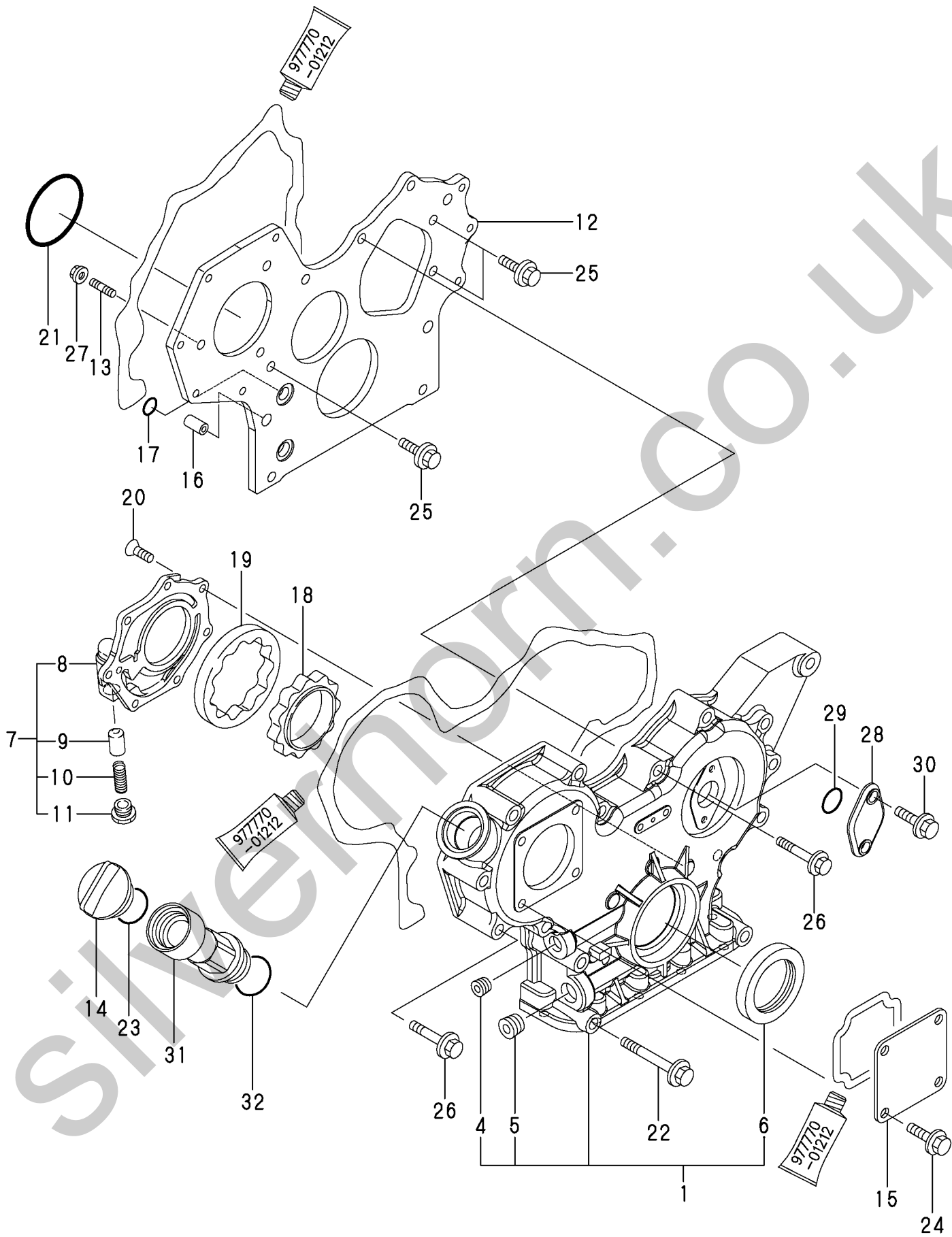
1,1,,729602-01560,, "BLOCK ASSY, CYLINDER",1,,,,,,,,,,,,,
5,3,,124160-01910,, "PLUG PT1/4",2,,,,,,,,,,,,,
6,3,,171051-01921,, "PLUG",1,,,,,,,,,,,,,
7,3,,129150-02020,, "BOLT, METAL CAP",10,,,,,,,,,,,,,
10,3,,124060-01050,, "PLUG PT1/8",1,,,,,,,,,,,,,
11,3,,129001-01250,, "PLUG 50",1,,,,,,,,,,,,,
12,3,,27241-120000,, "PLUG 12",2,,,,,,,,,,,,,
13,3,,27241-300000,, "PLUG 30",8,,,,,,,,,,,,,
14,3,,129795-02411,, "BUSH, CAMSHAFT",1,,,,,,,,,,,,,
15,3,,124160-01910,, "PLUG PT1/4",1,,,,,,,,,,,,,
25,2,,129001-02930,, "MAIN BEARING SET",5,,,,,,,,,3,,,,,,,,,
28,2,,129150-02930,, "METAL, THRUST",2,,,,,,,,,,,,,
31,1,,129150-01200,, "STUD, CYL. HEAD",18,,,,,,,,,,,,,
32,1,,129407-01340,, "GASKET,CYL.HEAD",1,,,,,,,,,,,,,
33,1,,129150-02870,, "MAIN METAL US=0.25",5,,,,,,,,,1,,,,,,,,,
36,1,,129150-02940,, "METAL,THRUST.25(2PIE",1,,,,,,,,,2,,,,,,,,,

Silverhorn.CO.UK



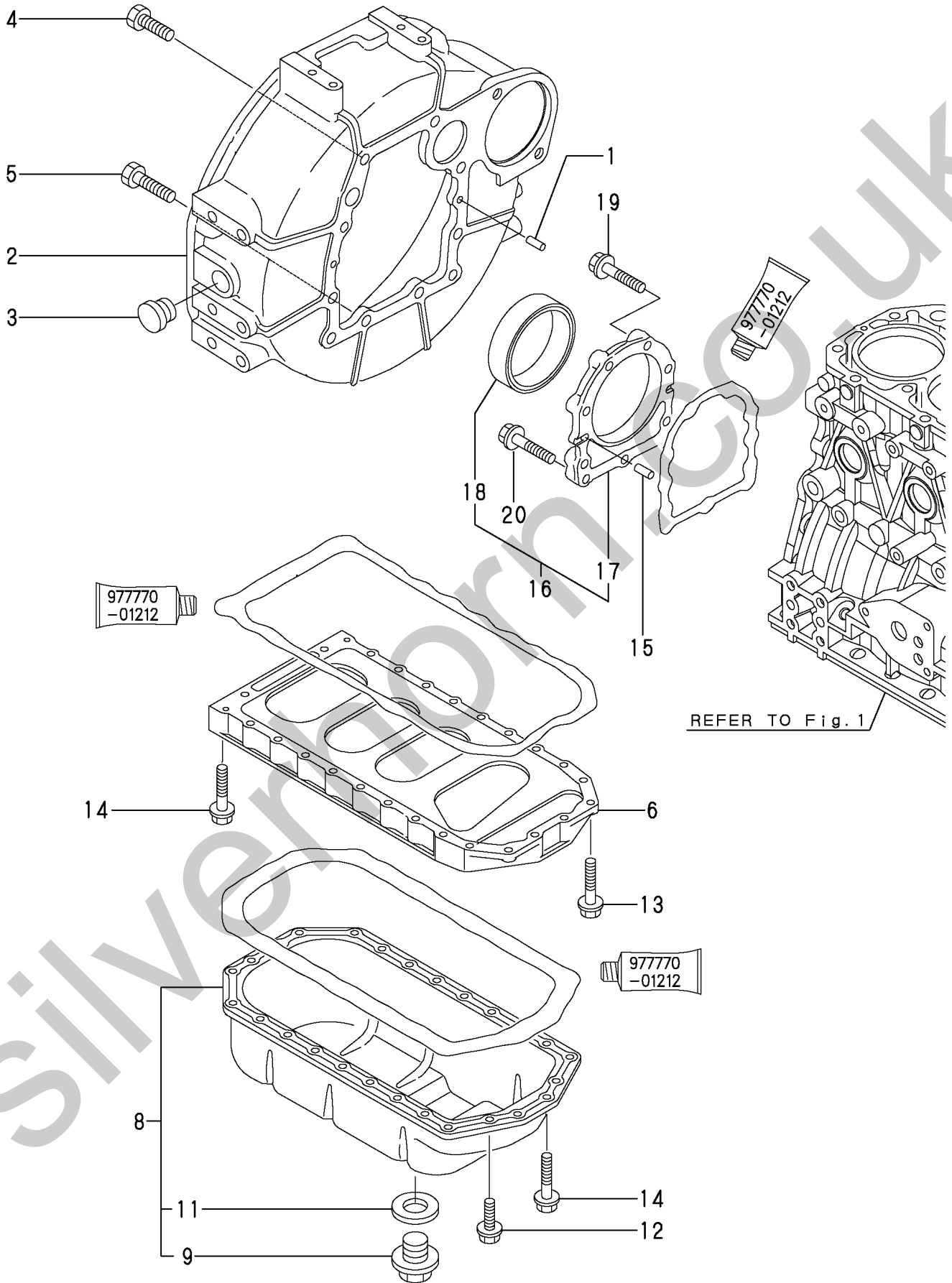
1,1,,729233-01500,, "HOUSING ASSY, GEAR",1,,,,,,,,,,,,,
4,2,,23876-030000,, "PLUG PT3/8,SCREW",1,,,,,,,,,,,,,
5,2,,23876-040000,, "PLUG PT 1/2",1,,,,,,,,,,,,,
6,2,,119934-01800,, "SEAL, OIL",1,,,,,,,,,,,,,
7,1,,119802-32100,, "COVER ASSY, PUMP",1,,,,,,,,,,,,,
8,2,,119802-32070,, "COVER, LUB.OIL PUMP",1,,,,,,,,,,,,,
9,2,,129900-32130,, "VALVE, RELIEF",1,,,,,,,,,,,,,
10,2,,129418-32320,, "SPRING",1,,,,,,,,,,,,,
11,2,,129001-32330,, "PLUG",1,,,,,,,,,,,,,
12,1,,119802-01520,, "FRANGE, GEAR CASE",1,,,,,,,,,,,,,
13,1,,119802-01560,, "STUD, M8X25",3,,,,,,,,,,,,,
14,1,,124160-01751,, "COVER,FILLER",1,,,,,,,,,,,,,
15,1,,124240-01871,, "COVER, HO-P",1,,,,,,,,,,,,,
16,1,,129795-01950,, "PIPE, KNOCK L=18",2,,,,,,,,,,,,,
17,1,,119609-32040,, "O-RING P16",4,,,,,,,,,,,,,
18,1,,119802-32111,, "ROTOR, INNER",1,,,,,,,,,,,,,
19,1,,119802-32120,, "ROTOR, OUTER",1,,,,,,,,,,,,,
20,1,,119802-32130,, "SCREW, M6X16",7,,,,,,,,,,,,,
21,1,,121850-51960,, "O-RING, F.I.PUMP",1,,,,,,,,,,,,,
22,1,,129001-91841,, "BOLT, M8X85",3,,,,,,,,,,,,,
23,1,,24311-000320,, "O-RING 1A P-32.0",1,,,,,,,,,,,,,
24,1,,26106-080162,, "BOLT M 8X 16 PLATED",4,,,,,,,,,,,,,
25,1,,26106-080162,, "BOLT M 8X 16 PLATED",3,,,,,,,,,,,,,
26,1,,26106-080552,, "BOLT M 8X 55 PLATED",12,,,,,,,,,,,,,
27,1,,26306-080002,, "NUT",3,,,,,,,,,,,,,
28,1,,121023-01550,, "COVER, BLIND",1,,,,,,,,,,,,,
29,1,,24341-000240,, "O-RING 1A S-24.0",1,,,,,,,,,,,,,
30,1,,26106-060162,, "BOLT M 6X 16 PLATED",2,,,,,,,,,,,,,
31,1,,171031-11741,, "PIPE",1,,,,,,,,,,,,,
32,1,,24311-000320,, "O-RING 1A P-32.0",1,,,,,,,,,,,,,





1,1,,129100-01580,, "PARALLEL PIN 8X16",2,,,,,,,,,,,,,,,,,,,,,
2,1,,129612-01600,, "HOUSING, FLYWHEEL",1,,,,,,,,,,,,,,,,,,,,,
3,1,,119620-01750,, "CAP, FLYWHEEL COVER",1,,,,,,,,,,,,,,,,,,,,,
4,1,,26206-100252,, "BOLT M10X25",6,,,,,,,,,,,,,,,,,,,,,
5,1,,26206-100302,, "BOLT M10X30",4,,,,,,,,,,,,,,,,,,,,,
6,1,,129400-01730,, "SPACER, OIL SUMP",1,,,,,,,,,,,,,,,,,,,,,
8,1,,129436-01780,, "SUMP ASSY, OIL",1,,,,,,,,,,,,,,,,,,,,,
9,2,,119640-01640,, "DRAIN PLUG M22",1,,,,,,,,,,,,,,,,,,,,,
11,2,,22190-220002,, "SEAL WASHER 22S",1,,,,,,,,,,,,,,,,,,,,,
12,1,,26106-080162,, "BOLT M 8X 16 PLATED",4,,,,,,,,,,,,,,,,,,,,,
13,1,,26106-080252,, "BOLT M 8X 25 PLATED",2,,,,,,,,,,,,,,,,,,,,,
14,1,,26106-080452,, "BOLT M 8X 45 PLATED",24,,,,,,,,,,,,,,,,,,,,,
15,1,,129100-01580,, "PARALLEL PIN 8X16",2,,,,,,,,,,,,,,,,,,,,,
16,1,,129100-01640,, "CASE ASSY, OIL SEAL",1,,,,,,,,,,,,,,,,,,,,,
17,2,,129150-01650,, "CASE, OIL SEAL",1,,,,,,,,,,,,,,,,,,,,,
18,2,,129795-01780,, "SEAL, OIL",1,,,,,,,,,,,,,,,,,,,,,
19,1,,129486-01670,, "BOLT M8X30, COLLAR HD",6,,,,,,,,,,,,,,,,,,,,,
20,1,,26106-080352,, "BOLT M 8X 35 PLATED",3,,,,,,,,,,,,,,,,,,,,,

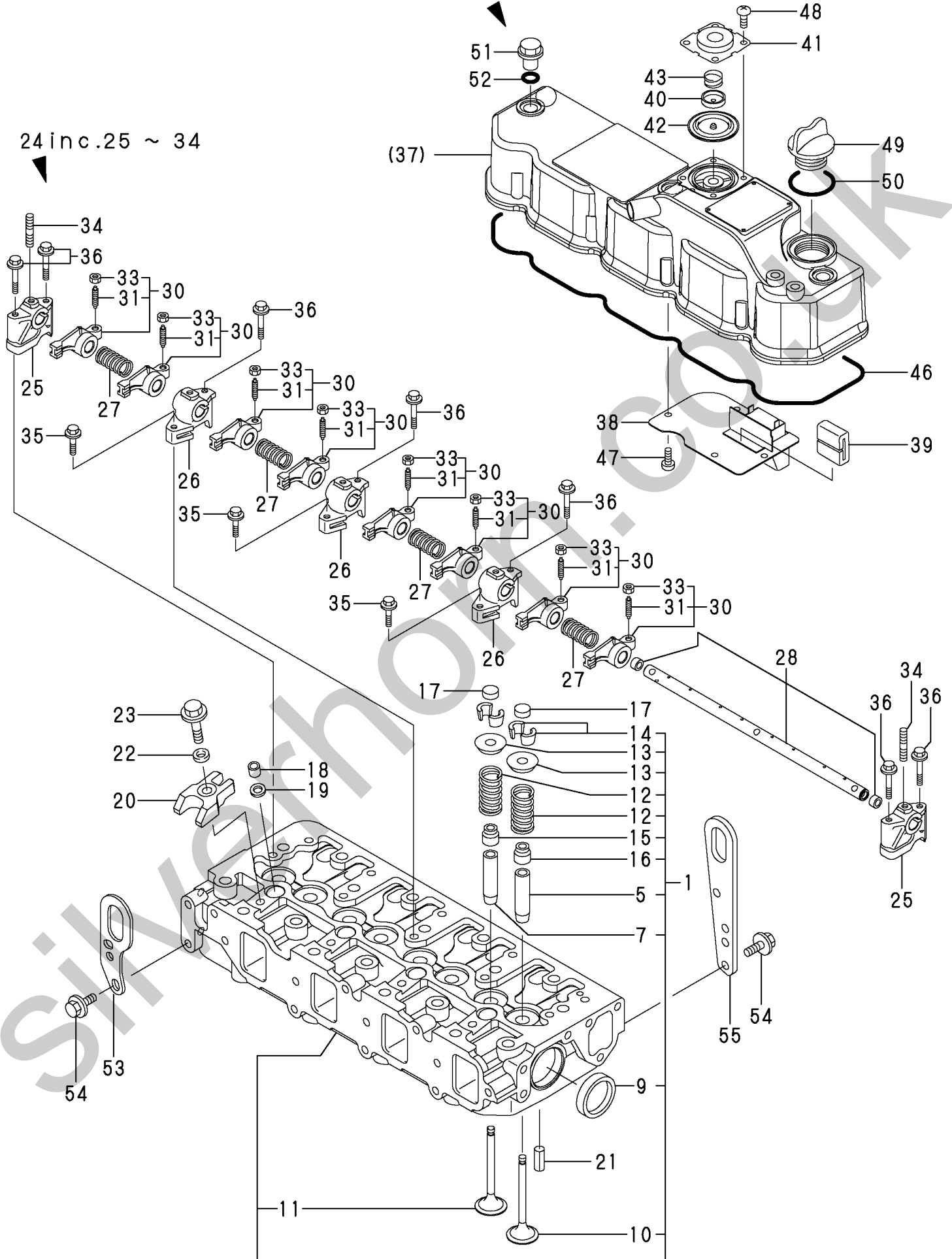
Silverhorn.CO.UK



1,1,,129601-11700,, "HED ASSY, CYLINDER",1,,,,,,,,,,,,,
 5,2,,120130-11860,, "GUIDE, VALVE",4,,,,,,,,,1,,,,,,,,,
 7,2,,129150-11810,, "GUIDE, VALVE",4,,,,,,,,,1,,,,,,,,,
 9,2,,27241-400000,, "PLUG 40",2,,,,,,,,,,,,,
 10,2,,129004-11101,, "VALVE, INTAKE",4,,,,,,,,,,,,,
 11,2,,129100-11111,, "VALVE, EXHAUST",4,,,,,,,,,,,,,
 12,2,,129795-11120,, "SPRING, VALVE",8,,,,,,,,,,,,,
 13,2,,129795-11180,, "RETAINER, SPRING",8,,,,,,,,,,,,,
 14,2,,27310-080001,, "COTTER 8",8,,,,,,,,,,,,,
 15,2,,121400-11340,, "SEAL, VALVE STEM",4,,,,,,,,,,,,,
 16,2,,124460-11340,, "SEAL, VALVE STEM",4,,,,,,,,,,,,,
 17,1,,129150-11370,, "CAP, VALVE",8,,,,,,,,,,,,,
 18,1,,119802-11870,, "PROTECTOR, NOZZLE",4,,,,,,,,,,,,,
 19,1,,119625-11880,, "SEAT, NOZZLE",4,,,,,,,,,,,,,
 20,1,,129004-11900,, "RETAINER, NOZZLE",4,,,,,,,,,,,,,
 21,1,,22351-060012,, "SPRING PIN 6X12",2,,,,,,,,,,,,,
 22,1,,120270-54410,, "WASHER",4,,,,,,,,,,,,,
 23,1,,26106-080352,, "BOLT M 8X 35 PLATED",4,,,,,,,,,,,,,
 24,1,,129601-11241,, "SHAFT ASSY, ROCKER",1,,,,,,,,,,,,,
 25,2,,119802-11260,, "SUPPORT, ROCKER ARM",2,,,,,,,,,,,,,
 26,2,,119802-11270,, "SUPPORT, ROCKER ARM",3,,,,,,,,,,,,,
 27,2,,129150-11280,, "SPRING",4,,,,,,,,,,,,,
 28,2,,129601-11251,, "SHAFT",1,,,,,,,,,,,,,
 30,2,,129004-11650,, "ARM ASSY, ROCKER",8,,,,,,,,,,,,,
 31,3,,129150-11230,, "SCREW, VALVE",8,,,,,,,,,,,,,
 33,3,,129150-11750,, "NUT M8XP1.0",8,,,,,,,,,,,,,
 34,2,,26226-080182,, "STUD M 8X 18 PLATED",3,,,,,,,,,,,,,
 35,1,,26106-080252,, "BOLT M 8X 25 PLATED",3,,,,,,,,,,,,,
 36,1,,26106-080502,, "BOLT M 8X 50 PLATED",7,,,,,,,,,,,,,
 37,1,,129601-11350,, "BONNET ASSY",1,,,,,,,,,,,,,
 38,2,,129004-03010,, "PLATE, BAFFLE",1,,,,,,,,,,,,,
 39,2,,129150-03070,, "BAFFLE, BREATHER",1,,,,,,,,,,,,,
 40,2,,119802-03110,, "PLATE, DIAPHRAGM",1,,,,,,,,,,,,,
 41,2,,119802-03121,, "COVER, DIAPHRAGM",1,,,,,,,,,,,,,
 42,2,,119802-03130,, "DIAPHRAGM",1,,,,,,,,,,,,,
 43,2,,119802-03141,, "SPRING, DIAPHRAGM",1,,,,,,,,,,,,,
 46,2,,129601-11310,, "GASKET, COVER",1,,,,,,,,,,,,,
 47,2,,22857-500100,, "SCREW 5X10, TAPPING",4,,,,,,,,,,,,,
 48,2,,22857-500100,, "SCREW 5X10, TAPPING",4,,,,,,,,,,,,,
 49,1,,124160-01751,, "COVER, FILLER",1,,,,,,,,,,,,,
 50,1,,24311-000320,, "O-RING 1A P-32.0",1,,,,,,,,,,,,,
 51,1,,124160-11360,, "KNOB",3,,,,,,,,,,,,,
 52,1,,24311-000120,, "O-RING 1A P 12.0",3,,,,,,,,,,,,,
 53,1,,119260-07900,, "LIFTER, ENGINE",1,,,,,,,,,,,,,
 54,1,,26106-080142,, "BOLT M 8X 14 PLATED",4,,,,,,,,,,,,,
 55,1,,119940-07900,, "LIFTER, ENGINE",1,,,,,,,,,,,,,

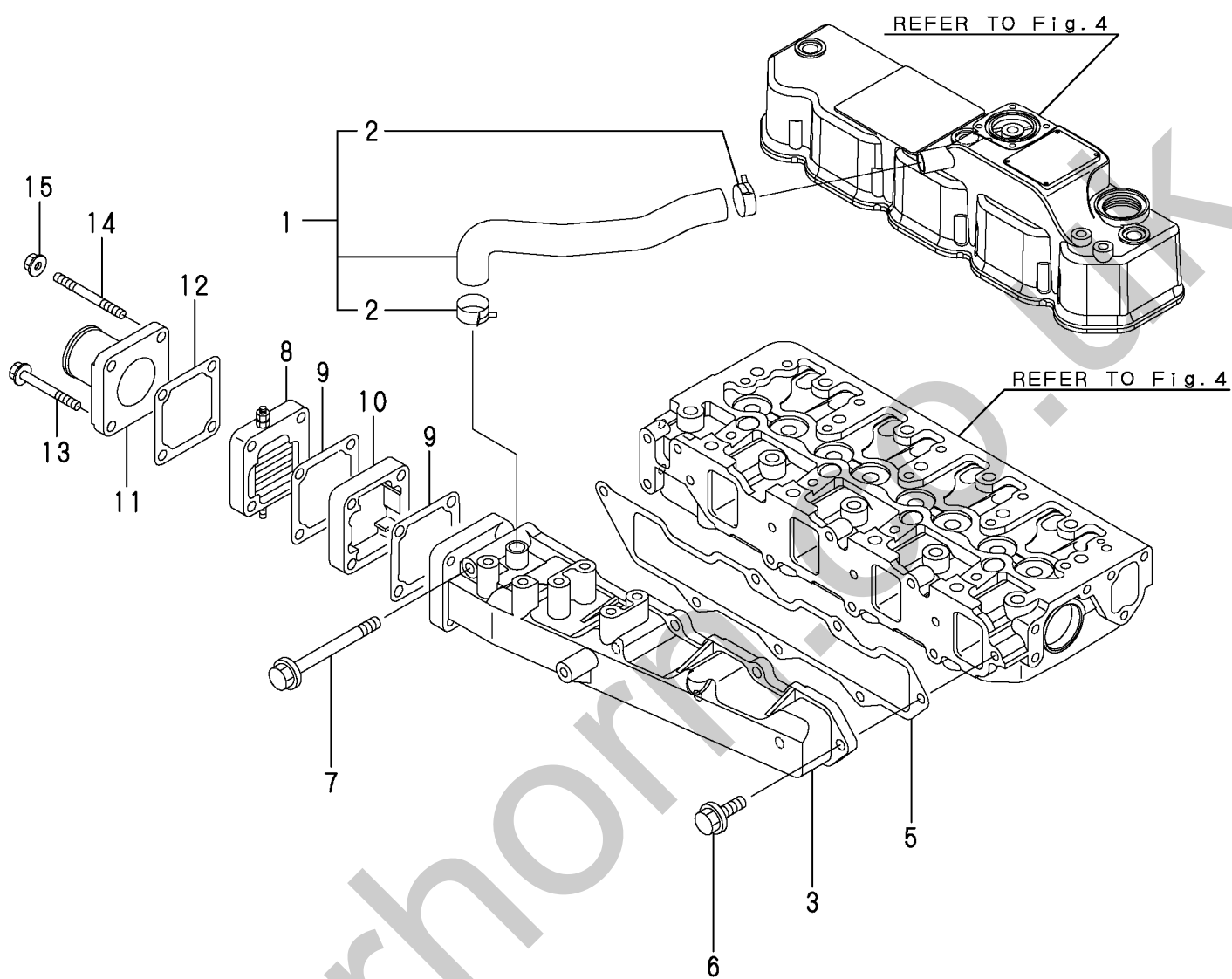
37 inc. (37) ~ 48

24 inc. 25 ~ 34



1,1,,129601-03080,, "PIPE,BREATHER",1,,,,,,,,,,,,,,,,,,,,,
2,2,,129410-03990,, "CLAMP 24",2,,,,,,,,,,,,,,,,,,,,,
3,1,,129601-12100,, "MANIFOLD,INT",1,,,,,,,,,,,,,,,,,,,,,
5,1,,129407-12110,, "GASKET,INT.MANOFOLD",1,,,,,,,,,,,,,,,,,,,,,
6,1,,26106-080202,, "BOLT M 8X 20 PLATED",6,,,,,,,,,,,,,,,,,,,,,
7,1,,26106-080802,, "BOLT M 8X 80 PLATED",1,,,,,,,,,,,,,,,,,,,,,
8,1,,129100-77500,, "HEATER, AIR",1,,,,,,,,,,,,,,,,,,,,,
9,1,,129150-77511,, "GASKET, (NON-ASB.)",2,,,,,,,,,,,,,,,,,,,,,
10,1,,129170-12580,, "SPACER",1,,,,,,,,,,,,,,,,,,,,,
11,1,,171463-12581,, "JOINT,SUC.MANIFOLD",1,,,,,,,,,,,,,,,,,,,,,
12,1,,129100-77510,, "GASKET, AIR HEATER",1,,,,,,,,,,,,,,,,,,,,,
13,1,,26106-080702,, "BOLT M 8X 70 PLATED",2,,,,,,,,,,,,,,,,,,,,,
14,1,,26216-080702,, "STUD M 8X 70 PLATED",2,,,,,,,,,,,,,,,,,,,,,
15,1,,26306-080002,, "NUT",2,,,,,,,,,,,,,,,,,,,,,

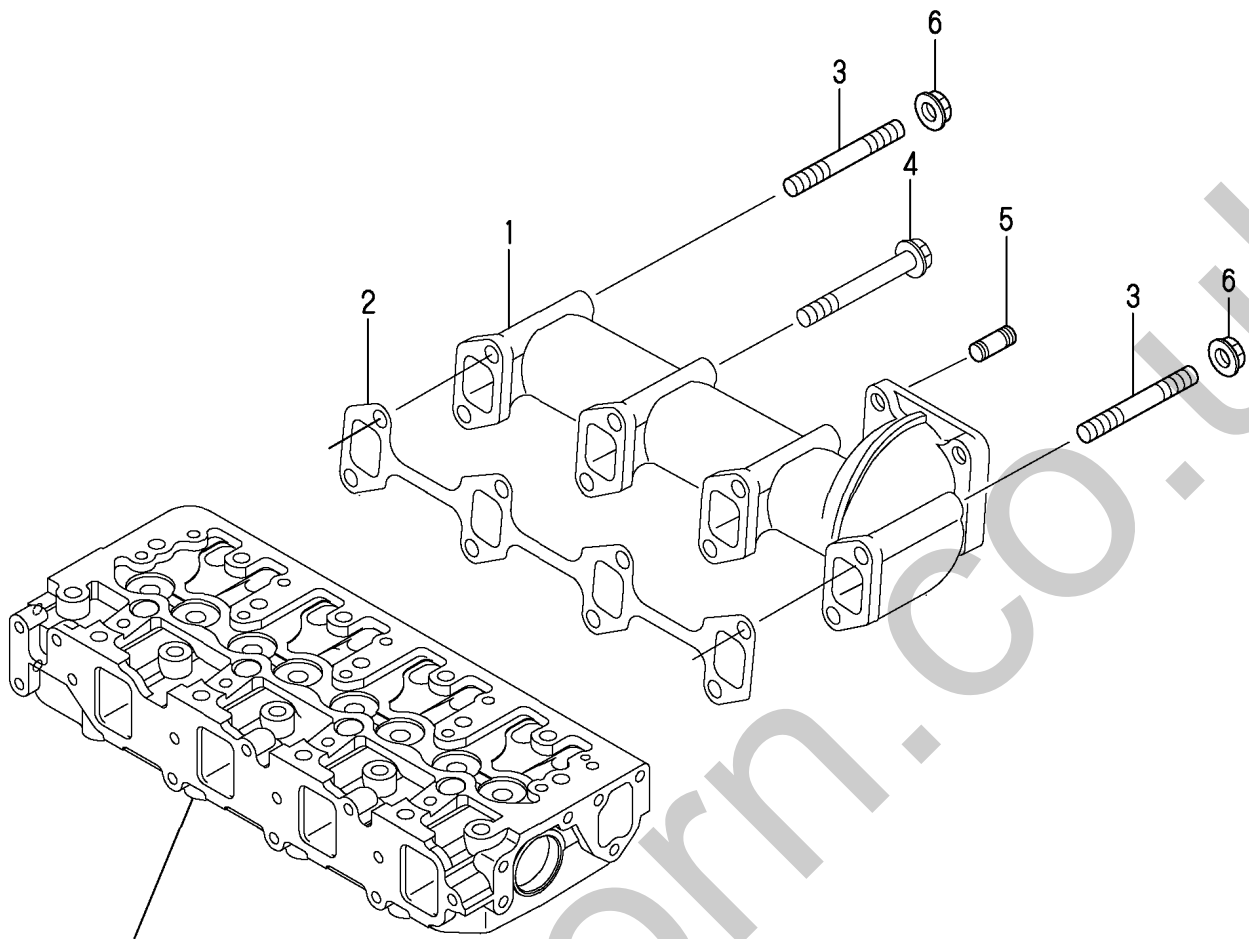
Silverhorn.CO.UK



Silverhorn

1,1,,129400-13101,, "MANIFOLD, EXHAUST",1,,,,,,,,,,,,,,,,,,,,,
2,1,,129550-13110,, "GASKET, EXH.MANIFOLD",1,,,,,,,,,,,,,,,,,,,,,
3,1,,123900-13610,, "STUD BOLT M 8X 80",2,,,,,,,,,,,,,,,,,,,,,
4,1,,123900-13630,, "BOLT 8X80",6,,,,,,,,,,,,,,,,,,,,,
5,1,,119131-18320,, "BOLT M 8X 22",4,,,,,,,,,,,,,,,,,,,,,
6,1,,26306-080002,, NUT,2,,,,,,,,,,,,,,,,,,,,,

Silverhorn.CO.UK



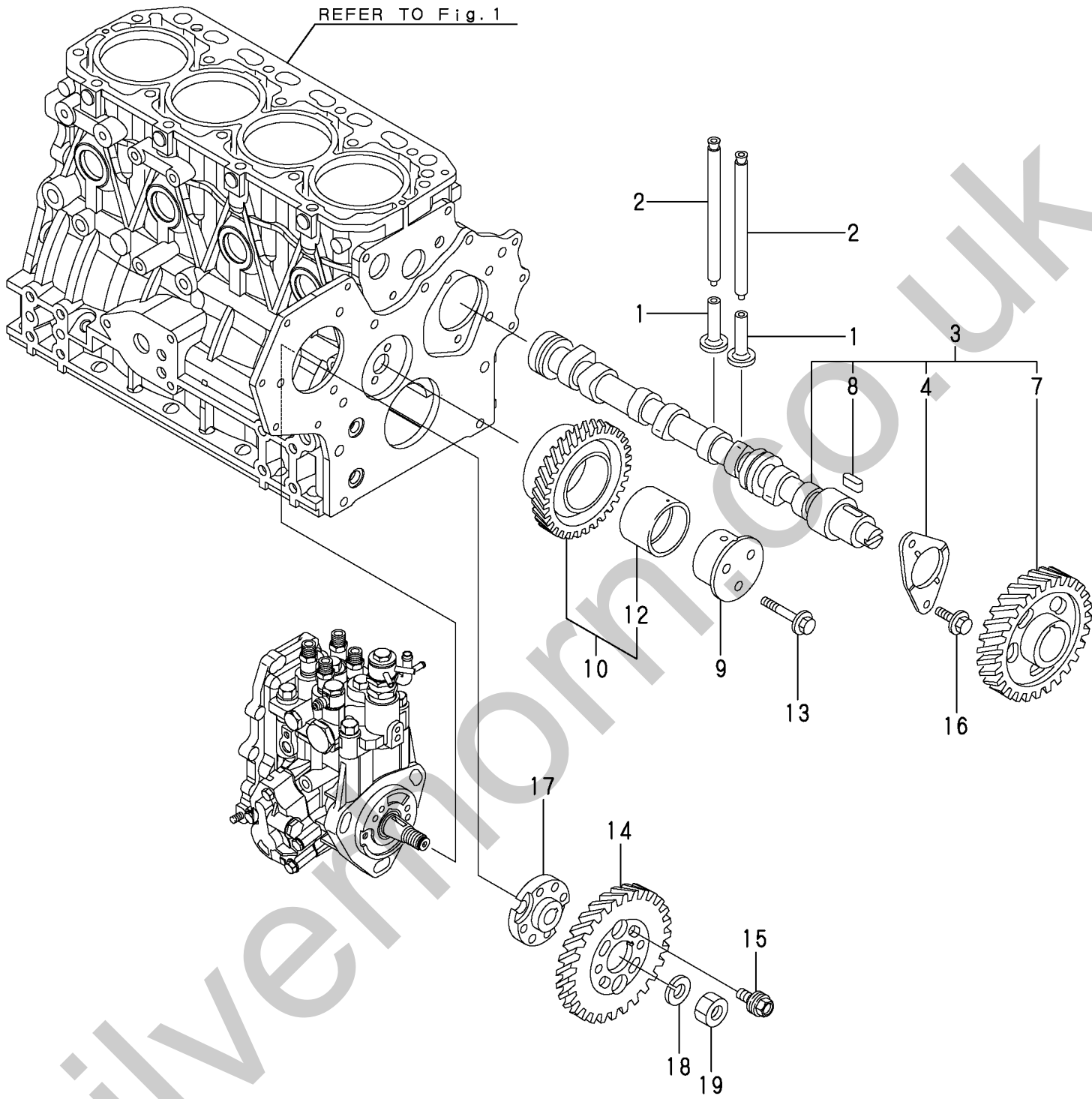
REFER TO Fig. 4

Silverhorn.CO.UK

1,1,,129150-14200,,TAPPET,8,,,,,,,,,,,,,,,,,,,,,
2,1,,129150-14400,,,"ROD, PUSH",8,,,,,,,,,,,,,,,,,,,,,
3,1,,729402-14580,,,"CAMSHAFT ASSY",1,,,,,,,,,,,,,,,,,,,,,
4,2,,129150-02450,,,"METAL,THRUST(CAM",1,,,,,,,,,,,,,,,,,,,,,
7,2,,129150-14101,,,"GEAR, CAMSHAFT",1,,,,,,,,,,,,,,,,,,,,,
8,2,,22512-070140,,,"KEY 7X 14",1,,,,,,,,,,,,,,,,,,,,,
9,1,,119802-25051,,,"SHAFT, IDLE GEAR",1,,,,,,,,,,,,,,,,,,,,,
10,1,,119802-25100,,,"GEAR ASSY, IDLE",1,,,,,,,,,,,,,,,,,,,,,
12,2,,119802-25070,,,"BUSH, IDLE GEAR",1,,,,,,,,,1,,,,,,,,,,,,,
13,1,,26106-080402,,,"BOLT M 8X 40 PLATED",3,,,,,,,,,,,,,,,,,,,,,
14,1,,119802-25901,,,"GEAR, PUMP",1,,,,,,,,,,,,,,,,,,,,,
15,1,,129150-25301,,,"BOLT,FI-P",4,,,,,,,,,,,,,,,,,,,,,
16,1,,26106-080142,,,"BOLT M 8X 14 PLATED",2,,,,,,,,,,,,,,,,,,,,,
17,1,,158552-51151,,,"FLANGE",1,,,,,,,,,,,,,,,,,,,,,
18,1,,22217-140000,,,"SPRING WASHER 14",1,,,,,,,,,,,,,,,,,,,,,
19,1,,26776-140002,,,"LOCK NUT M14 PLATED",1,,,,,,,,,,,,,,,,,,,,,

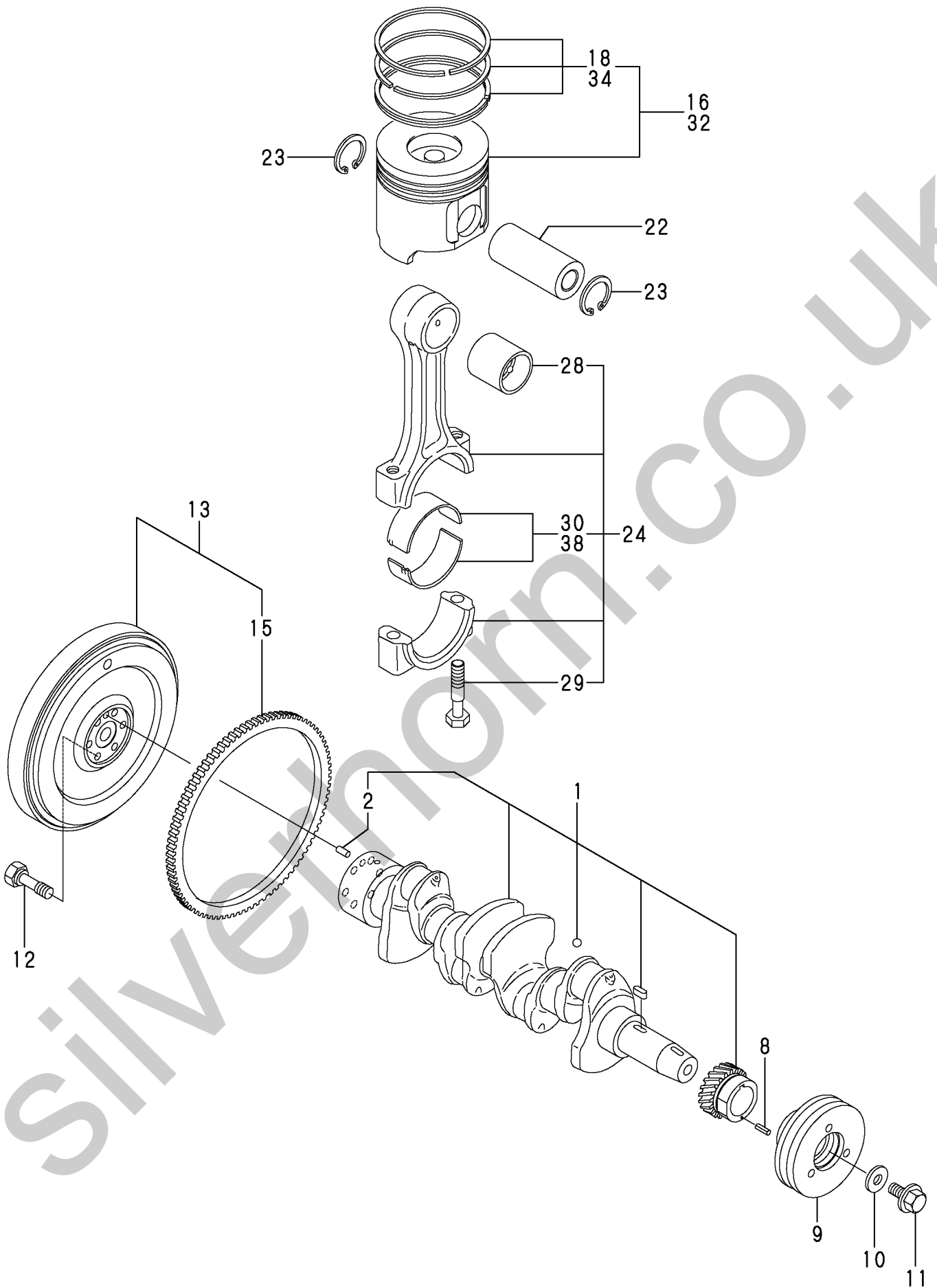
Silverhorn.CO.UK

REFER TO Fig. 1



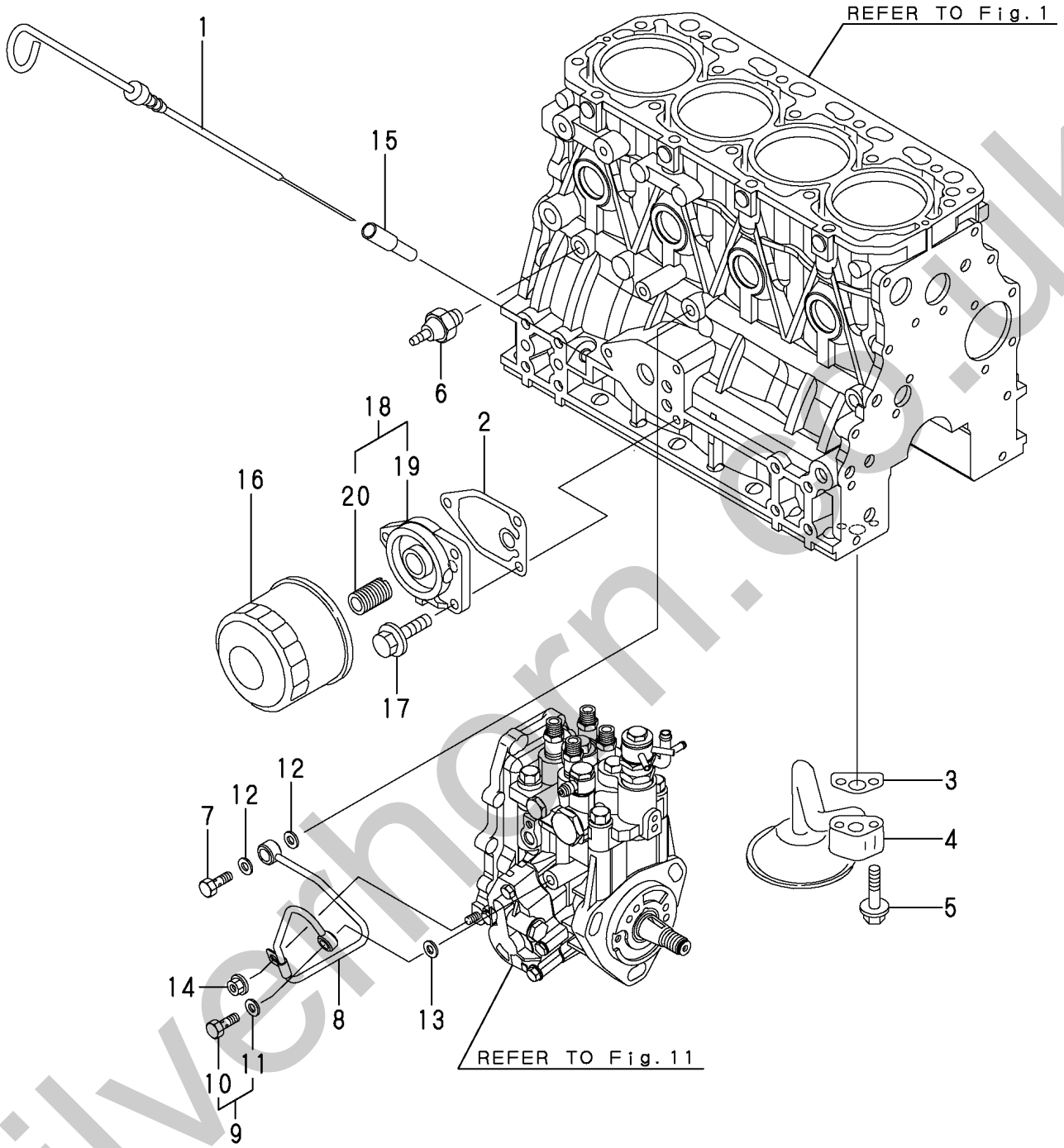
1,1,,129601-21002,, "CRANKSHAFT ASSY",1,,,,,,,,,,,,,
 2,2,,129100-01580,, "PARALLEL PIN 8X16",1,,,,,,,,,,,,,
 8,1,,22351-030010,, "SPRING PIN 3X10",1,,,,,,,,,,,,,
 9,1,,119802-21650,, "V-PULLEY, CRANKSHAFT",1,,,,,,,,,,,,,
 10,1,,129795-21661,, "WASHER",1,,,,,,,,,,,,,
 11,1,,121850-21680,, "BOLT, V-PULLEY",1,,,,,,,,,,,,,
 12,1,,121111-21501,, "BOLT, FLYWHEEL",6,,,,,,,,,,,,,
 13,1,,129489-21590,, "FLYWHEEL ASSY",1,,,,,,,,,,,,,
 15,2,,119865-21600,, "GEAR, RING",1,,,,,,,,,,,,,
 16,1,,129005-22080,, "PISTON ASSY",4,,,,,,,,,,,,,
 18,2,,129005-22500,, "RING SET, PISTON",4,,,,,,,,,,,,,
 22,1,,129202-22300,, "PIN, PISTON(D26,L70)",4,,,,,,,,,,,,,
 23,1,,22252-000260,, "CIRCLIP 26",8,,,,,,,,,,,,,
 24,1,,729402-23100,, "ROD ASSY, CONNECTING",4,,,,,,,,,,,,,
 28,2,,129100-23910,, "BUSH, PISTON PIN",4,,,,,,,,,1,,,,,,,,,
 29,2,,121550-23200,, "BOLT, CONNECTING ROD",8,,,,,,,,,,,,,
 30,2,,129150-23600,, "BEARING, CRANKPIN",4,,,,,,,,,,,,,
 32,1,,129005-22900,, "PISTON W/RING OS=.25",4,,,,,,,,,2,,,,,,,,,
 34,2,,129005-22950,, "RING SET O.S=0.25",4,,,,,,,,,2,,,,,,,,,
 38,1,,129150-23610,, "METAL.PIN US=0.25",4,,,,,,,,,3,,,,,,,,,

Silverhorn.CO.UK



1,1,,129642-34801,, "DIPSTICK, LUB.OIL",1,,,,,,,,,,,,,,,,,,,,,
2,1,,129150-35111,, "GASKET, (NON-ASB.)",1,,,,,,,,,,,,,,,,,,,,,
3,1,,129150-35042,, "GASKET, MANIFOLD",1,,,,,,,,,,,,,,,,,,,,,
4,1,,129436-35091,, "PIPE ASSY, LUB. OIL",1,,,,,,,,,,,,,,,,,,,,,
5,1,,26106-080352,, "BOLT M 8X 35 PLATED",2,,,,,,,,,,,,,,,,,,,,,
6,1,,114250-39450,, "SWITCH, (0.5KG)L.O.",1,,,,,,,,,,,,,,,,,,,,,
7,1,,124160-39140,, "BOLT 10, PIPE JOINT",1,,,,,,,,,,,,,,,,,,,,,
8,1,,119802-39450,, "PIPE ASSY, LUB. OIL",1,,,,,,,,,,,,,,,,,,,,,
9,1,,129005-59830,, "BOLT ASSY, JOINT",1,,,,,,,,,,,,,,,,,,,,,
10,2,,23857-030000,, "JOINT BOLT 3",1,,,,,,,,,,,,,,,,,,,,,
11,2,,22190-080002,, "SEAL WASHER 8S",1,,,,,,,,,,,,,,,,,,,,,
12,1,,22190-100002,, "SEAL WASHER 10S",2,,,,,,,,,,,,,,,,,,,,,
13,1,,22190-080002,, "SEAL WASHER 8S",1,,,,,,,,,,,,,,,,,,,,,
14,1,,26366-060002,, "NUT M 6",1,,,,,,,,,,,,,,,,,,,,,
15,1,,121520-34810,, "GUIDE, DIPSTICK",1,,,,,,,,,,,,,,,,,,,,,
16,1,,119005-35150,, "FILTER, 80X100L",1,,,,,,,,,,,,,,,,,,,,,
17,1,,26106-080202,, "BOLT M 8X 20 PLATED",3,,,,,,,,,,,,,,,,,,,,,
18,1,,119802-35100,, "BRACKET ASSY, FILTER",1,,,,,,,,,,,,,,,,,,,,,
19,2,,119802-35110,, "BRACKET, FILTER",1,,,,,,,,,,,,,,,,,,,,,
20,2,,129100-35140,, "STUD",1,,,,,,,,,,,,,,,,,,,,,

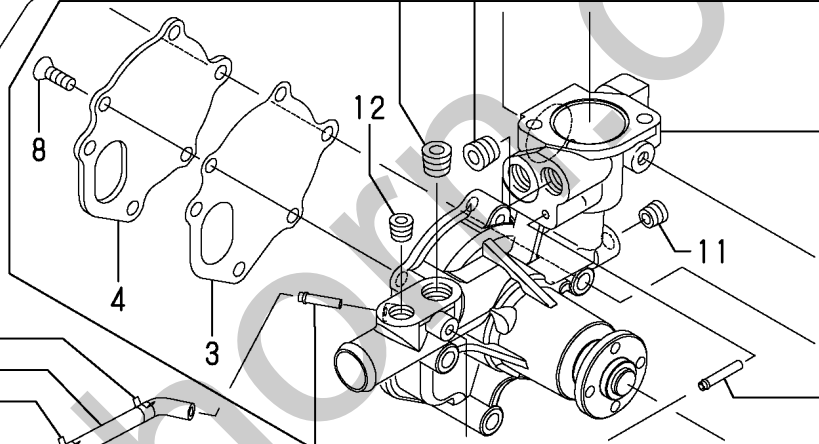
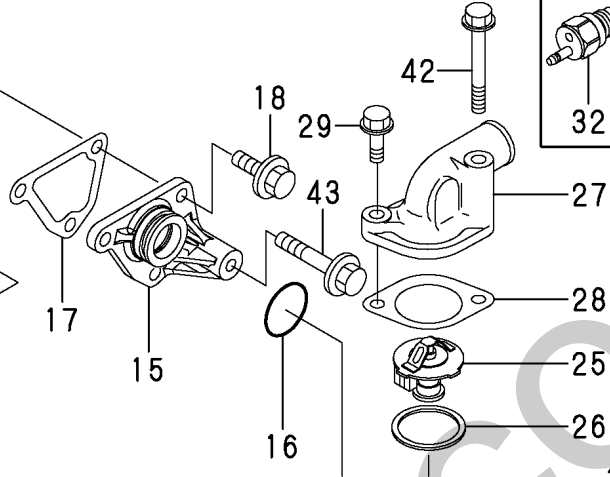
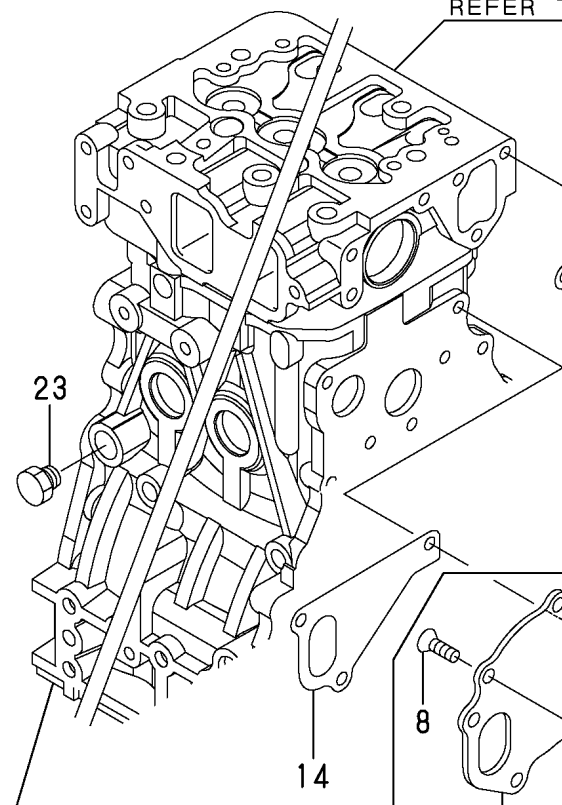
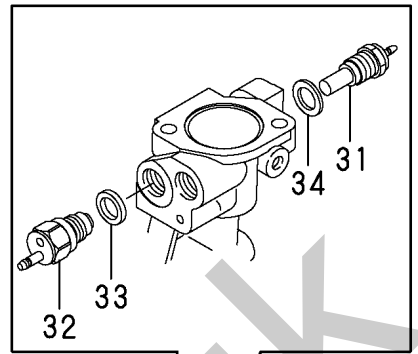
Silverhorn.CO.UK



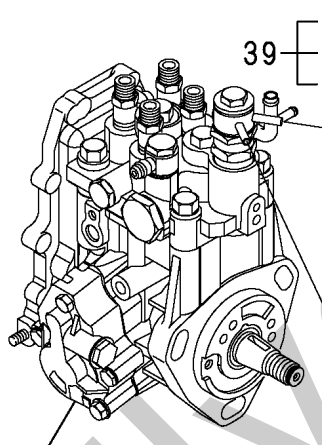
1,1,,129004-42001,, "PUMP ASSY, WATER",1,,,,,,,,,,,,,,,,,,,,,
3,2,,129100-42051,, "GASKET, (NON-ASB.)",1,,,,,,,,,,,,,,,,,,,,,
4,2,,129100-42121,, PLATE,1,,,,,,,,,,,,,,,,,,,,,,,,,,,,,
8,2,,121850-42410,, SCREW,3,,,,,,,,,,,,,,,,,,,,,,,,,,,,,
11,2,,23876-010000,, "PLUG PT1/8, SCREW",1,,,,,,,,,,,,,,,,,,,,,
12,2,,23876-020000,, "PLUG PT1/4, SCREW",1,,,,,,,,,,,,,,,,,,,,,
14,1,,129486-42021,, GASKET,1,,,,,,,,,,,,,,,,,,,,,,,,,,,,,
15,1,,129004-42040,, JOINT,1,,,,,,,,,,,,,,,,,,,,,,,,,,,,,
16,1,,129486-42140,, "O-RING, CW-P",1,,,,,,,,,,,,,,,,,,,,,
17,1,,124395-49840,, "GASKET, THERMO. CASE",1,,,,,,,,,,,,,,,,,,,,,
18,1,,26106-080162,, "BOLT M 8X 16 PLATED",3,,,,,,,,,,,,,,,,,,,,,
19,1,,26106-080602,, "BOLT M 8X 60 PLATED",3,,,,,,,,,,,,,,,,,,,,,
20,1,,129556-42350,, V-PULLEY,1,,,,,,,,,,,,,,,,,,,,,,,,,,,,,
21,1,,119831-42290,, "V-BELT A37.5",1,,,,,,,,,,,,,,,,,,,,,
22,1,,171340-44740,, "FAN, COOLING",1,,,,,,,,,,,,,,,,,,,,,,,,,,,,,
23,1,,171056-49120,, "PLUG, DRAIN",1,,,,,,,,,,,,,,,,,,,,,,,,,,,,,
24,1,,26106-080122,, "BOLT M 8X 12 PLATED",1,,,,,,,,,,,,,,,,,,,,,
25,1,,129155-49801,, "THERMOSTAT (71)",1,,,,,,,,,,,,,,,,,,,,,
26,1,,129150-49811,, "GASKET, (NON-ASB.)",1,,,,,,,,,,,,,,,,,,,,,
27,1,,124101-49531,, "COVER, THERMOSTAT",1,,,,,,,,,,,,,,,,,,,,,
28,1,,129795-49551,, "GASKET, (NON-ASB.)",1,,,,,,,,,,,,,,,,,,,,,
29,1,,26106-080252,, "BOLT M 8X 25 PLATED",1,,,,,,,,,,,,,,,,,,,,,
30,1,,23414-080000,, "GASKET 8, ROUND",1,,,,,,,,,,,,,,,,,,,,,
31,1,,171056-49351,, SENSER,1,,,,,,,,,,,,,,,,,,,,,,,,,,,,,
32,1,,121250-44901,, "SWITCH, THERMO(110fC)",1,,,,,,,,,,,,,,,,,,,,,
33,1,,124465-44950,, "GASKET 16",1,,,,,,,,,,,,,,,,,,,,,,,,,,,,,
34,1,,129150-49360,, "GASKET 10",1,,,,,,,,,,,,,,,,,,,,,,,,,,,,,
35,1,,129004-49610,, "PIPE ASSY, A MP2",1,,,,,,,,,,,,,,,,,,,,,
36,2,,129004-49711,, "PIPE ASSY, A MP2",1,,,,,,,,,,,,,,,,,,,,,
37,2,,119802-49730,, "CLAMP, CW-T",1,,,,,,,,,,,,,,,,,,,,,,,,,,,,,
38,2,,124722-59050,, "CLAMP 9",2,,,,,,,,,,,,,,,,,,,,,,,,,,,,,
39,1,,129004-49620,, "PIPE ASSY, B MP2",1,,,,,,,,,,,,,,,,,,,,,
40,2,,129004-49721,, "PIPE, WATER B MP2",1,,,,,,,,,,,,,,,,,,,,,
41,2,,124722-59050,, "CLAMP 9",2,,,,,,,,,,,,,,,,,,,,,,,,,,,,,
42,1,,26106-080652,, "BOLT M 8X 65 PLATED",1,,,,,,,,,,,,,,,,,,,,,
43,1,,26106-080452,, "BOLT M 8X 45 PLATED",1,,,,,,,,,,,,,,,,,,,,,



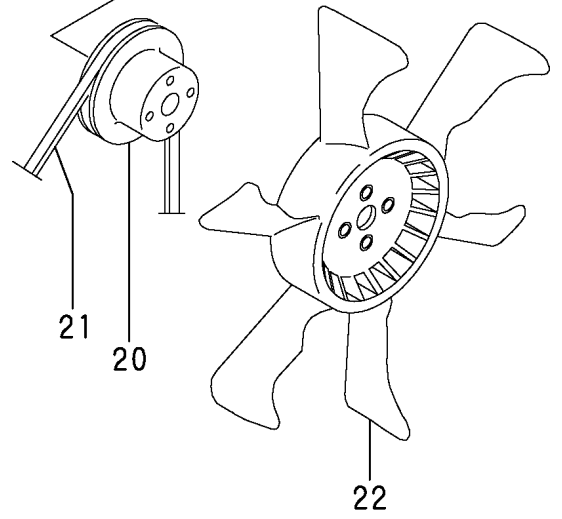
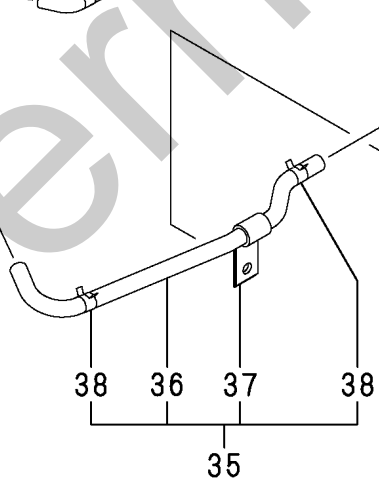
REFER TO Fig. 4



REFER TO Fig. 1



REFER TO Fig. 11



Silver

1,1,,729642-51320,, "PUMP ASSY, F.INJECT",1,,,,,,,,,,,,,
207,1,,26106-080162,, "BOLT M 8X 16 PLATED",1,,,,,,,,,,,,,
208,1,,26106-080202,, "BOLT M 8X 20 PLATED",1,,,,,,,,,,,,,
209,1,,129601-51250,, "SUPPORT,FIP",1,,,,,,,,,,,,,

Silverhorn.CO.UK

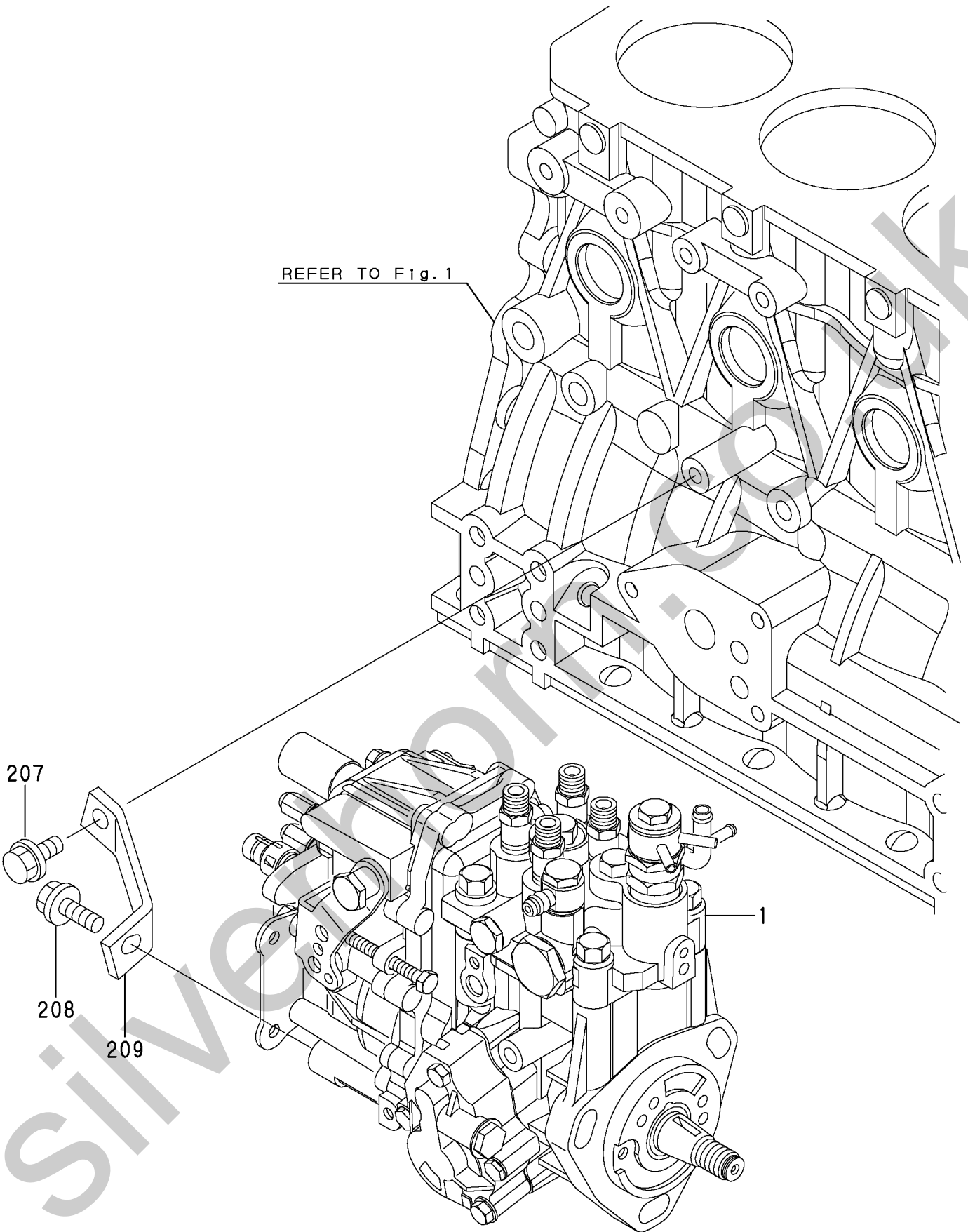
REFER TO Fig. 1

207

208

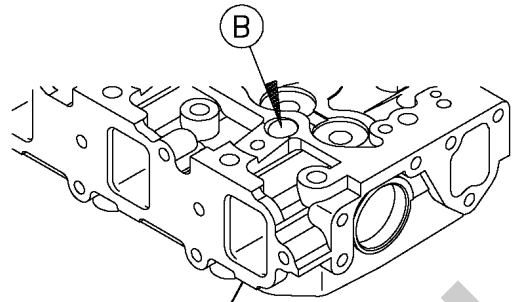
209

1

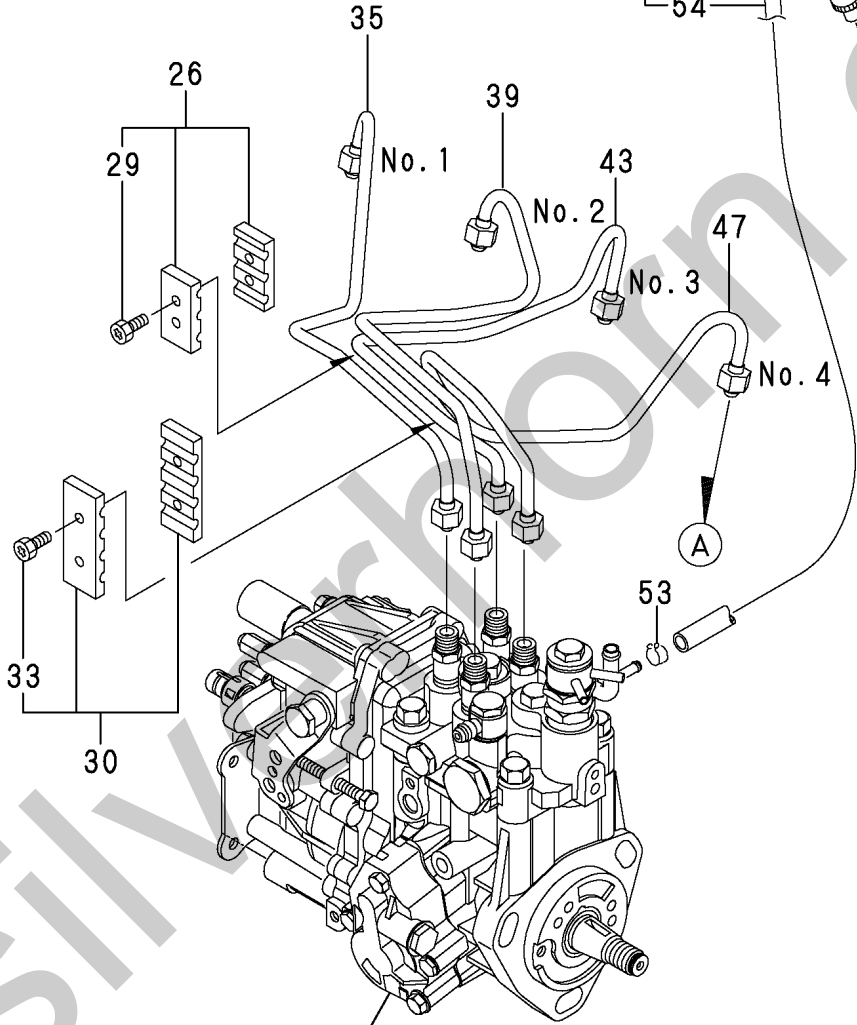
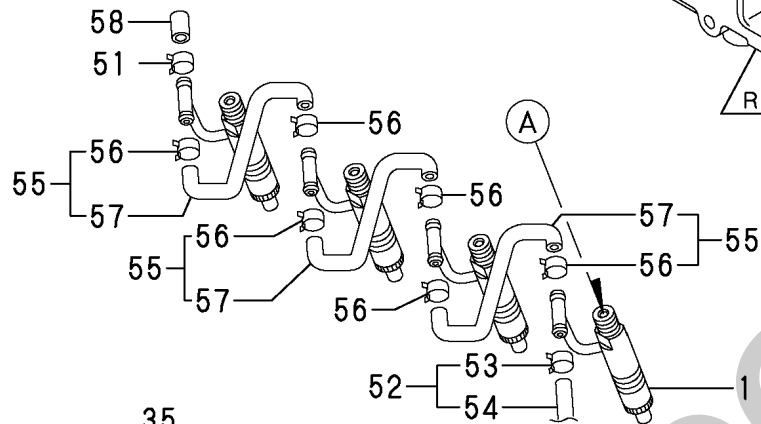


1,1,,729642-53100,, "FUEL INJECTOR(WBH",4,,,,,,,,,,,,,
2,2,,129640-53001,, "NOZZLE ASSY",4,,,,,,,,,,,,,
5,2,,114250-53080,, "NUT, NOZZLE CASE",4,,,,,,,,,,,,,
6,2,,119802-53100,, "HOLDER ASSY, NOZZLE",4,,,,,,,,,,,,,
10,2,,114250-53120,, "SPRING, NOZZLE",4,,,,,,,,,,,,,
11,2,,114250-53130,, "SEAT, NOZZLE SPRING",4,,,,,,,,,,,,,
12,2,,114250-53140,, "PLATE, STOP",4,,,,,,,,,,,,,
13,2,,114250-53210,, PIN,8,,,,,,,,,,,,,
14,2,,114250-53400,, "SHIM PACK",4,,,,,,,,,,,,,
26,1,,129150-59120,, "RETAINER, INJ. PIPE",1,,,,,,,,,,,,,
29,2,,129150-59131,, "BOLT M4X14,HEX.SCKT.",2,,,,,,,,,,,,,
30,1,,129550-59120,, RETAINER,1,,,,,,,,,,,,,
33,2,,129150-59131,, "BOLT M4X14,HEX.SCKT.",2,,,,,,,,,,,,,
35,1,,129601-59810,, "PIPE ASSY, INJECTION",1,,,,,,,,,,,,,
39,1,,129601-59820,, "PIPE ASSY, INJECTION",1,,,,,,,,,,,,,
43,1,,129601-59830,, "PIPE ASSY, INJECTION",1,,,,,,,,,,,,,
47,1,,129601-59840,, "PIPE ASSY, INJECTION",1,,,,,,,,,,,,,
51,1,,124066-59100,, "CLAMP 8",2,,,,,,,,,,,,,
52,1,,119802-59550,, "PIPE ASSY, RETURN",1,,,,,,,,,,,,,
53,2,,124722-59050,, "CLAMP 9",2,,,,,,,,,,,,,
54,2,,119802-59560,, "PIPE, FUEL RETURN",1,,,,,,,,,,,,,
55,1,,129486-59551,, "PIPE, FUEL RETURN",3,,,,,,,,,,,,,
56,2,,124722-59050,, "CLAMP 9",6,,,,,,,,,,,,,
57,2,,129486-59510,, "PIPE, FUEL RETURN",3,,,,,,,,,,,,,
58,1,,119593-59580,, CAP,1,,,,,,,,,,,,,

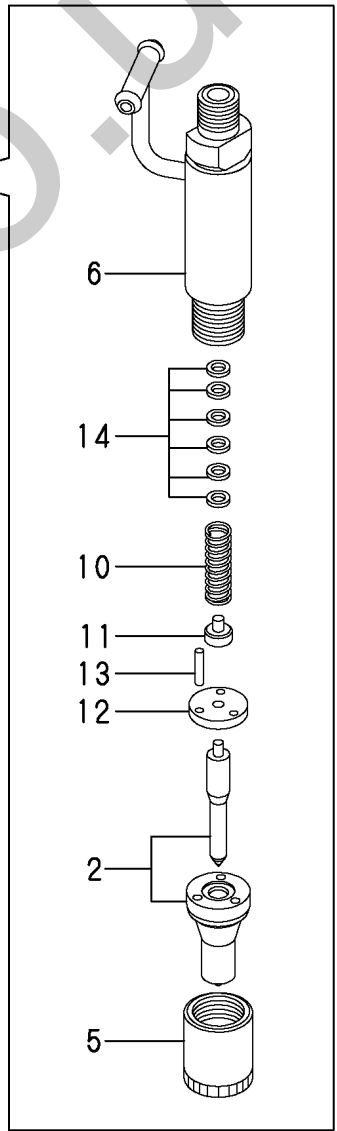




REFER TO Fig. 4



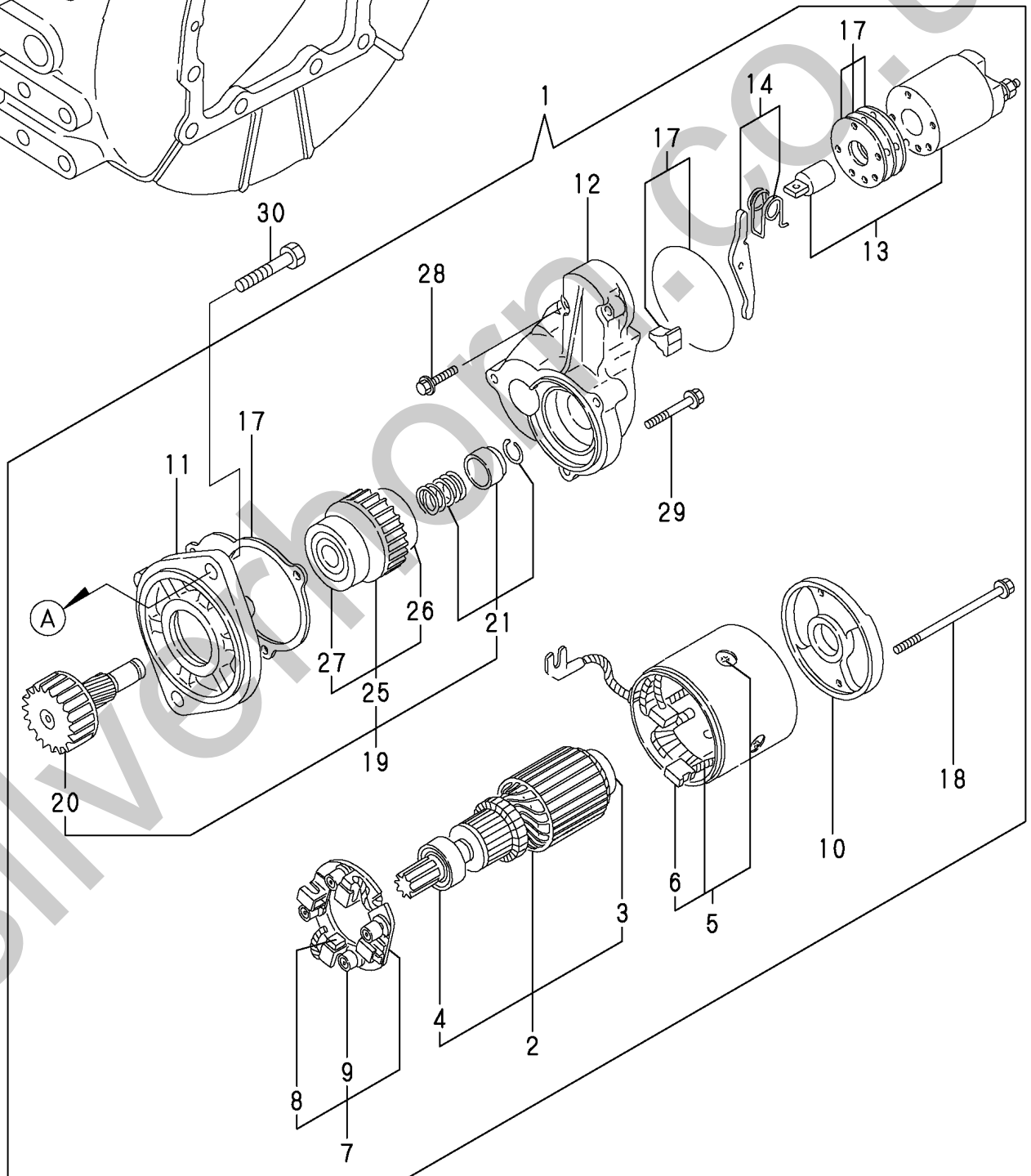
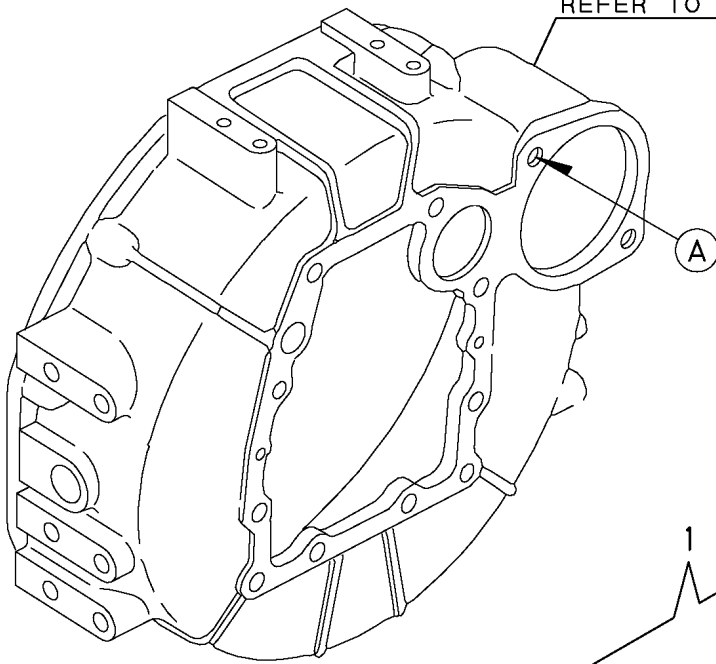
REFER TO Fig. 11



1,1,,129400-77012,, "STARTING MOTOR",1,,,,,,,,,,,,,,,,,,,,,
2,2,,129486-77400,, ARMATUER,1,,,,,,,,,,,,,,,,,,,,,
3,3,,171008-77410,, BEARING(1),1,,,,,,,,,,,,,,,,,,,,,
4,3,,171008-77420,, BEARING(2),1,,,,,,,,,,,,,,,,,,,,,
5,2,,129400-77441,, "FIELD COIL ASSY",1,,,,,,,,,,,,,,,,,,,,,
6,3,,129486-77460,, BRUSH,2,,,,,,,,,,,,,,,,,,,,,
7,2,,129486-77470,, "HOLDER ASSY, BRUSH",1,,,,,,,,,,,,,,,,,,,,,
8,3,,129486-77460,, BRUSH,2,,,,,,,,,,,,,,,,,,,,,
9,3,,129486-77490,, "SPRING, START BRUSH",4,,,,,,,,,,,,,,,,,,,,,
10,2,,129900-77460,, "COVER, REAR",1,,,,,,,,,,,,,,,,,,,,,
11,2,,171008-77510,, "HOUSING ASSY, GEAR",1,,,,,,,,,,,,,,,,,,,,,
12,2,,129400-77520,, "HOUSING, CENTER",1,,,,,,,,,,,,,,,,,,,,,
13,2,,129400-77531,, "SWITCH ASSY, MAGNETIC",1,,,,,,,,,,,,,,,,,,,,,
14,2,,171008-77540,, "LEVER SET, SHIFT",1,,,,,,,,,,,,,,,,,,,,,
17,2,,129400-77571,, "DUST COVER, (NON-ASB.)",1,,,,,,,,,,,,,,,,,,,,,
18,2,,129900-77640,, "BOLT, THROUGHT",2,,,,,,,,,,,,,,,,,,,,,
19,2,,171008-77650,, "PINION ASSY",1,,,,,,,,,,,,,,,,,,,,,
20,3,,171008-77660,, "SHAFT, PINION",1,,,,,,,,,,,,,,,,,,,,,
21,3,,171008-77670,, "STOPPER SET, PINION",1,,,,,,,,,,,,,,,,,,,,,
25,3,,X2114555500,, "CLUTCH ASSY",1,,,,,,,,,,,,,,,,,,,,,
26,4,,X2114955020,, "BALL BEARING",1,,,,,,,,,,,,,,,,,,,,,
27,4,,X2240410100,, "BALL BEARING",1,,,,,,,,,,,,,,,,,,,,,
28,2,,26106-060322,, "BOLT M 6X 32 PLATED",2,,,,,,,,,,,,,,,,,,,,,
29,2,,26106-060402,, "BOLT M 6X 40 PLATED",3,,,,,,,,,,,,,,,,,,,,,
30,1,,26116-120252,, "BOLT M12X 25 PLATED",2,,,,,,,,,,,,,,,,,,,,,

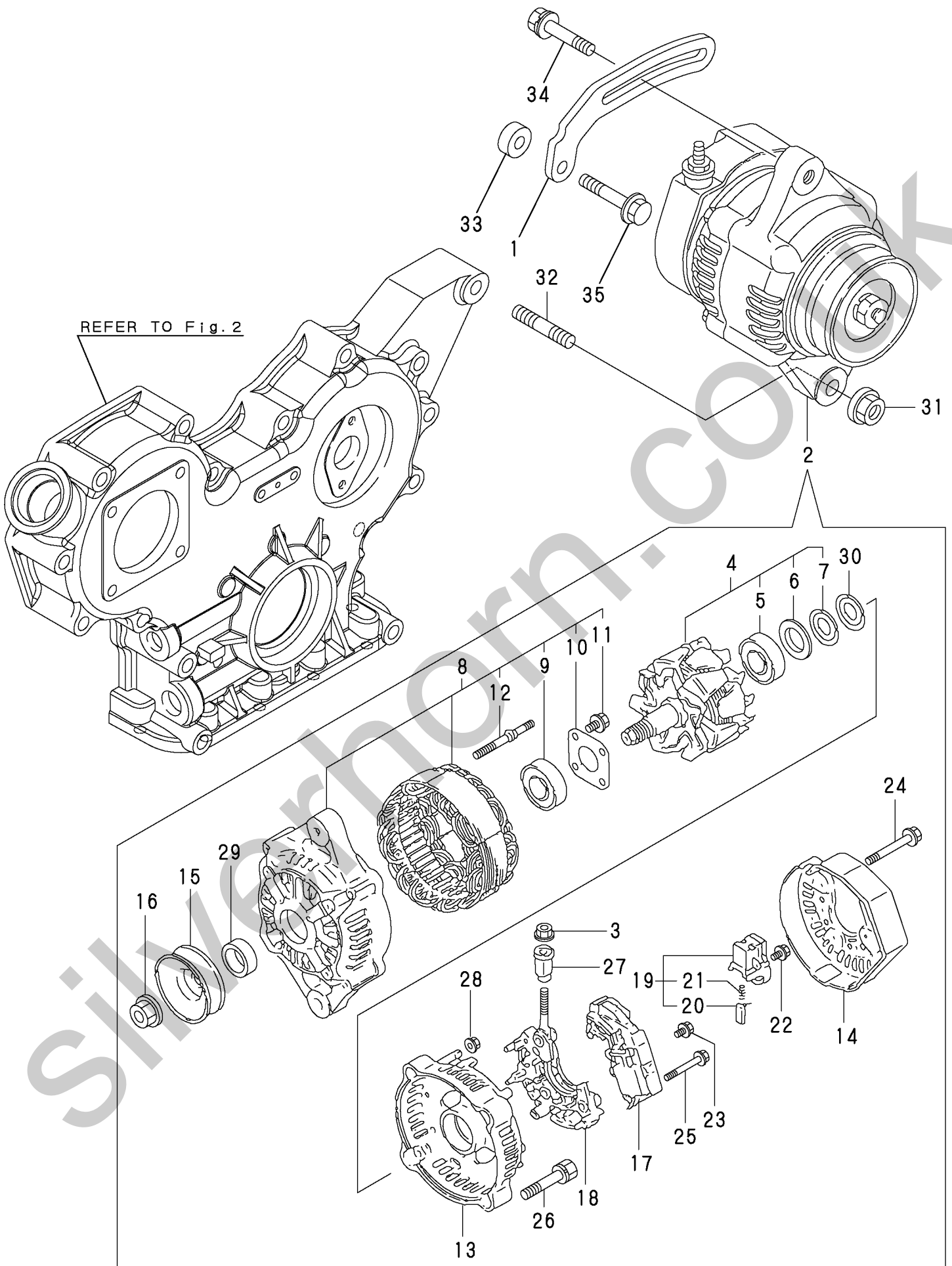


REFER TO Fig. 3



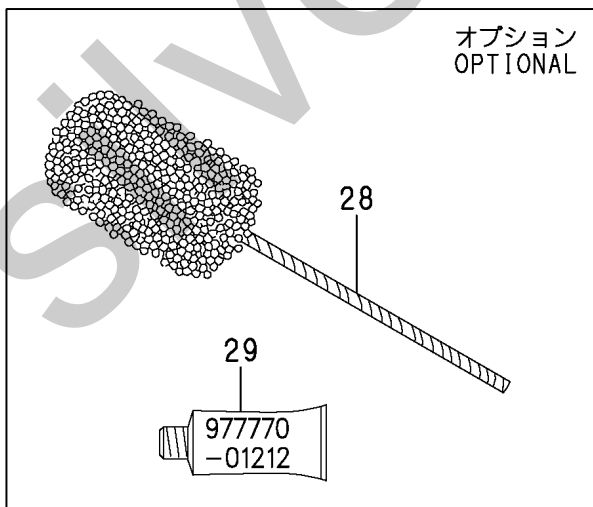
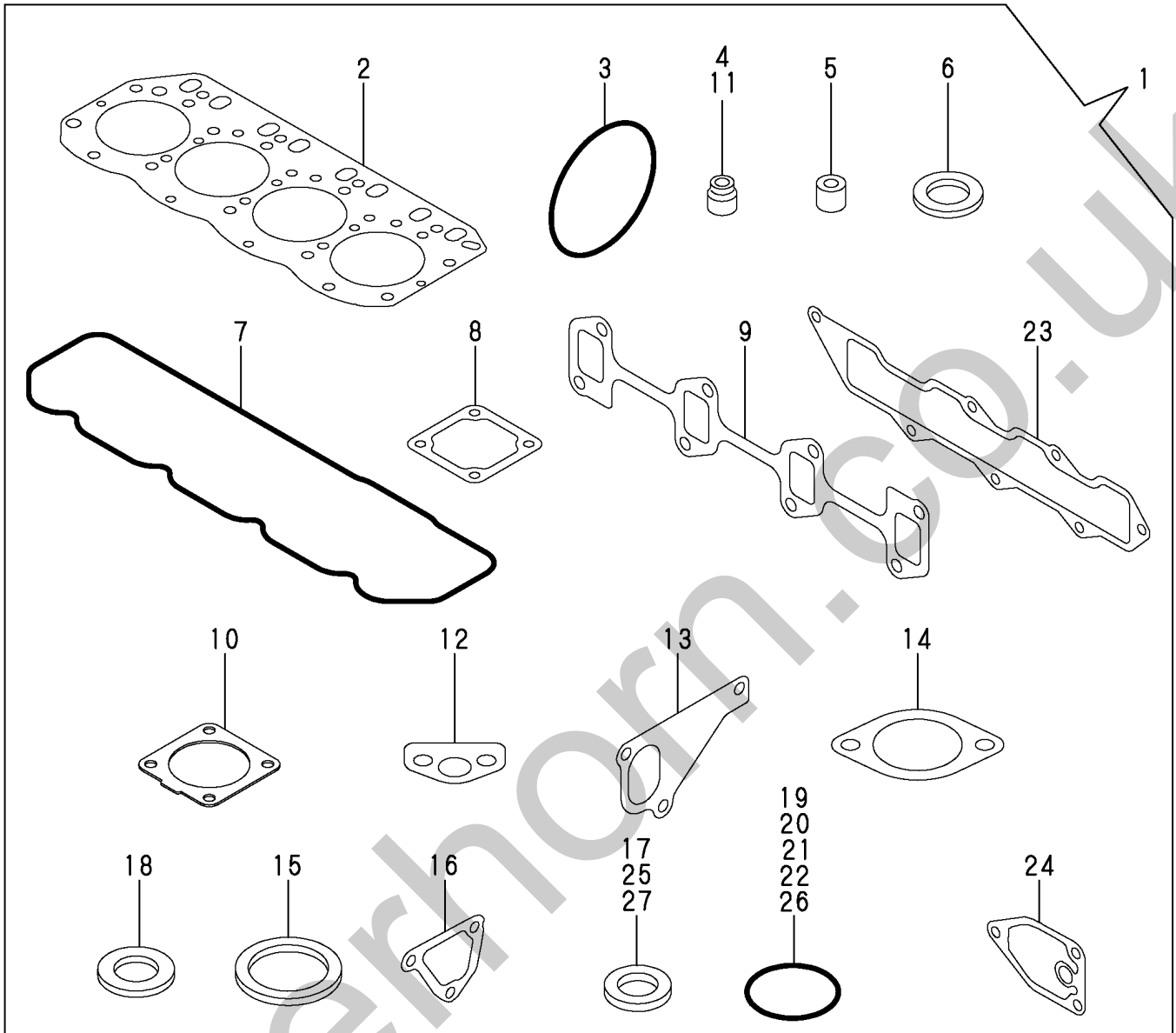
1,1,,119940-77330,, "ADJUSTER, BELT",1,,,,,,,,,,,,,,,,,,,,,
2,1,,129423-77200,, GENERATOR,1,,,,,,,,,,,,,,,,,,,,,
3,2,,X9490561001,, NUT,1,,,,,,,,,,,,,,,,,,,,,
4,2,,119620-77380,, "ROTOR ASSY",1,,,,,,,,,,,,,,,,,,,,,
5,3,,119620-79240,, "BALL BEARING",1,,,,,,,,,,,,,,,,,,,,,
6,3,,119620-79250,, "COVER, BEARING",1,,,,,,,,,,,,,,,,,,,,,
7,3,,119620-79360,, "THRUST WASHER",1,,,,,,,,,,,,,,,,,,,,,
8,2,,119620-77421,, "FLAME ASSY, DRIVE",1,,,,,,,,,,,,,,,,,,,,,
9,3,,119620-79200,, "BALL BEARING",1,,,,,,,,,,,,,,,,,,,,,
10,3,,119620-79210,, PLATE,1,,,,,,,,,,,,,,,,,,,,,
11,3,,119620-79220,, SCREW,4,,,,,,,,,,,,,,,,,,,,,
12,3,,119620-79230,, "BOLT, STUD",2,,,,,,,,,,,,,,,,,,,,,
13,2,,119620-77440,, "FLAME ASSY, REAR",1,,,,,,,,,,,,,,,,,,,,,
14,2,,129423-77450,, COVER,1,,,,,,,,,,,,,,,,,,,,,
15,2,,119620-77461,, PULLEY,1,,,,,,,,,,,,,,,,,,,,,
16,2,,119620-77471,, NUT,1,,,,,,,,,,,,,,,,,,,,,
17,2,,129423-77710,, "REGULATOR ASSY",1,,,,,,,,,,,,,,,,,,,,,
18,2,,119620-79260,, HOLDER,1,,,,,,,,,,,,,,,,,,,,,
19,2,,119620-79270,, "HOLDER, BRUSH",1,,,,,,,,,,,,,,,,,,,,,
20,3,,119620-77480,, "BRUSH ASSY",2,,,,,,,,,,,,,,,,,,,,,
21,3,,119620-79280,, SPRING,2,,,,,,,,,,,,,,,,,,,,,
22,2,,119620-79290,, SCREW,1,,,,,,,,,,,,,,,,,,,,,
23,2,,119620-79300,, SCREW,1,,,,,,,,,,,,,,,,,,,,,
24,2,,119620-79310,, BOLT,3,,,,,,,,,,,,,,,,,,,,,
25,2,,119620-79320,, "SCREW W/WASHER",2,,,,,,,,,,,,,,,,,,,,,
26,2,,119620-79330,, BOLT,2,,,,,,,,,,,,,,,,,,,,,
27,2,,119620-79340,, "INSULATION BUSH",1,,,,,,,,,,,,,,,,,,,,,
28,2,,119620-79350,, NUT,2,,,,,,,,,,,,,,,,,,,,,
29,2,,119620-77490,, COLLAR,1,,,,,,,,,,,,,,,,,,,,,
30,2,,119620-79360,, "THRUST WASHER",1,,,,,,,,,,,,,,,,,,,,,
31,1,,26306-100002,, NUT,1,,,,,,,,,,,,,,,,,,,,,
32,1,,129795-01900,, STUD,1,,,,,,,,,,,,,,,,,,,,,
33,1,,119940-77270,, "ADJUSTER, BELT",1,,,,,,,,,,,,,,,,,,,,,
34,1,,119802-77340,, "BOLT, ADJUSTER",1,,,,,,,,,,,,,,,,,,,,,
35,1,,26106-080452,, "BOLT M 8X 45 PLATED",1,,,,,,,,,,,,,,,,,,,,,





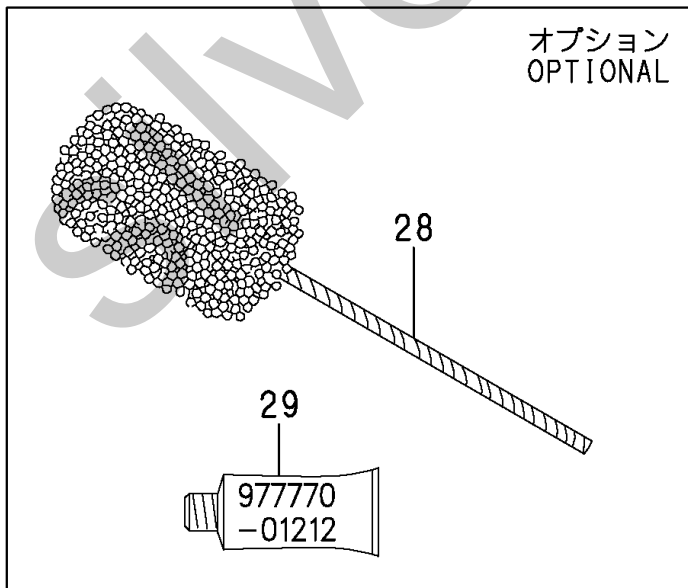
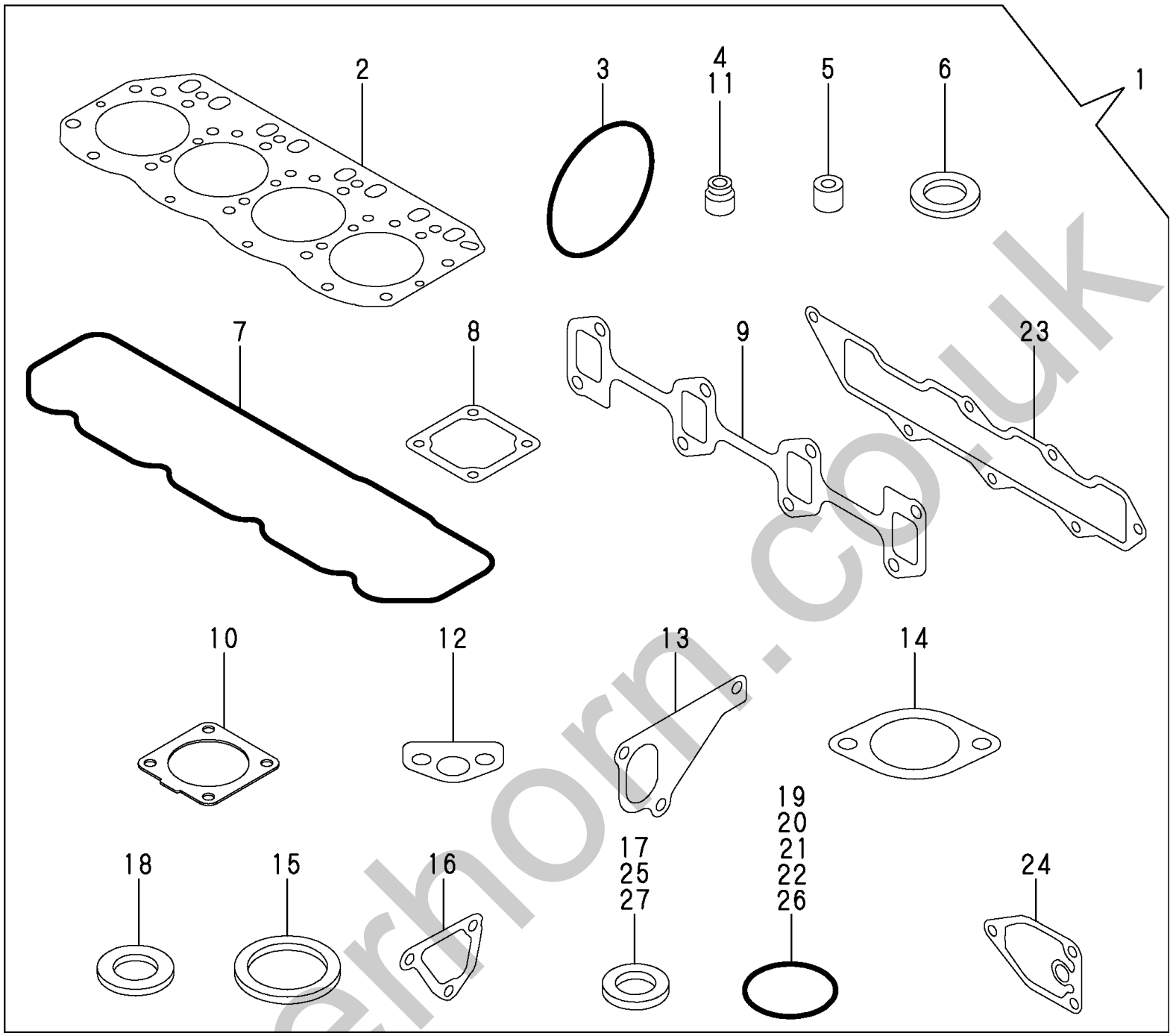
1,1,,729601-92610,, "GASKET SET(NON-ASB.)",1,,,,,,,,1,,,,,,,,,
2,2,,129407-01340,, "GASKET,CYL.HEAD",1,,,,,,,,,
3,2,,121850-51960,, "O-RING, F.I.PUMP",1,,,,,,,,,
4,2,,124460-11340,, "SEAL, VALVE STEM",4,,,,,,,,,
5,2,,119802-11870,, "PROTECTOR, NOZZLE",4,,,,,,,,,
6,2,,119625-11880,, "SEAT, NOZZLE",4,,,,,,,,,
7,2,,129601-11310,, "GASKET,COVER",1,,,,,,,,,
8,2,,129150-77511,, "GASKET, (NON-ASB.)",1,,,,,,,,,
9,2,,129550-13110,, "GASKET, EXH.MANIFOLD",1,,,,,,,,,
10,2,,129930-13200,, "GASKET, SILENCER",1,,,,,,,,,
11,2,,121400-11340,, "SEAL, VALVE STEM",4,,,,,,,,,
12,2,,129150-35041,, "GASKET, (NON-ASB.)",1,,,,,,,,,
13,2,,129486-42021,, "GASKET",1,,,,,,,,,
14,2,,129795-49551,, "GASKET, (NON-ASB.)",1,,,,,,,,,
15,2,,129150-49811,, "GASKET, (NON-ASB.)",1,,,,,,,,,
16,2,,124395-49840,, "GASKET, THERMO. CASE",1,,,,,,,,,
17,2,,22190-080002,, "SEAL WASHER 8S",2,,,,,,,,,
18,2,,124465-44950,, "GASKET 16",2,,,,,,,,,
19,2,,24311-000120,, "O-RING 1A P 12.0",3,,,,,,,,,
20,2,,24311-000320,, "O-RING 1A P-32.0",2,,,,,,,,,
21,2,,24341-000240,, "O-RING 1A S-24.0",1,,,,,,,,,
22,2,,129486-42140,, "O-RING,CW-P",1,,,,,,,,,
23,2,,129407-12110,, "GASKET,INT.MANOFOLD",1,,,,,,,,,
24,2,,129150-35111,, "GASKET, (NON-ASB.)",1,,,,,,,,,
25,2,,22190-220002,, "SEAL WASHER 22S",1,,,,,,,,,
26,2,,119609-32040,, "O-RING P16",4,,,,,,,,,
27,2,,22190-100002,, "SEAL WASHER 10S",2,,,,,,,,,
28,1,,129400-92420,, "FLEX HORN",1,,,,,,,,1,,,,,,,,,
29,1,,977770-01212,, "GASKET, LIQUID",1,,,,,,,,1,,,,,,,,

Silverhorn.CO.UK



1,1,,729601-92610,, "GASKET SET(NON-ASB.)",1,,,,,,,,1,,,,,,,,,
2,2,,129407-01340,, "GASKET,CYL.HEAD",1,,,,,,,,,
3,2,,121850-51960,, "O-RING, F.I.PUMP",1,,,,,,,,,
4,2,,124460-11340,, "SEAL, VALVE STEM",4,,,,,,,,,
5,2,,119802-11870,, "PROTECTOR, NOZZLE",4,,,,,,,,,
6,2,,119625-11880,, "SEAT, NOZZLE",4,,,,,,,,,
7,2,,129601-11310,, "GASKET,COVER",1,,,,,,,,,
8,2,,129150-77511,, "GASKET, (NON-ASB.)",1,,,,,,,,,
9,2,,129550-13110,, "GASKET, EXH.MANIFOLD",1,,,,,,,,,
10,2,,129930-13200,, "GASKET, SILENCER",1,,,,,,,,,
11,2,,121400-11340,, "SEAL, VALVE STEM",4,,,,,,,,,
12,2,,129150-35041,, "GASKET, (NON-ASB.)",1,,,,,,,,,
13,2,,129486-42021,, "GASKET",1,,,,,,,,,
14,2,,129795-49551,, "GASKET, (NON-ASB.)",1,,,,,,,,,
15,2,,129150-49811,, "GASKET, (NON-ASB.)",1,,,,,,,,,
16,2,,124395-49840,, "GASKET, THERMO. CASE",1,,,,,,,,,
17,2,,22190-080002,, "SEAL WASHER 8S",2,,,,,,,,,
18,2,,124465-44950,, "GASKET 16",2,,,,,,,,,
19,2,,24311-000120,, "O-RING 1A P 12.0",3,,,,,,,,,
20,2,,24311-000320,, "O-RING 1A P-32.0",2,,,,,,,,,
21,2,,24341-000240,, "O-RING 1A S-24.0",1,,,,,,,,,
22,2,,129486-42140,, "O-RING,CW-P",1,,,,,,,,,
23,2,,129407-12110,, "GASKET,INT.MANOFOLD",1,,,,,,,,,
24,2,,129150-35111,, "GASKET, (NON-ASB.)",1,,,,,,,,,
25,2,,22190-220002,, "SEAL WASHER 22S",1,,,,,,,,,
26,2,,119609-32040,, "O-RING P16",4,,,,,,,,,
27,2,,22190-100002,, "SEAL WASHER 10S",2,,,,,,,,,
28,1,,129400-92420,, "FLEX HORN",1,,,,,,,,1,,,,,,,,,
29,1,,977770-01212,, "GASKET, LIQUID",1,,,,,,,,1,,,,,,,,

Silverhorn.CO.UK



0,Y00B7120
1,001,, "ENGINE 4TNV88-XBVB"
2,1,, "CYLINDER BLOCK",4TNV88-XBVB,,,
2,2,, "GEAR HOUSING",4TNV88-XBVB,,,
2,3,, "FLYWHEEL HOUSING & L.O SUMP",4TNV88-XBVB,,,
2,4,, "CYLINDER HEAD & BONNET",4TNV88-XBVB,,,
2,5,, "SUCTION MANIFOLD",4TNV88-XBVB,,,
2,6,, "EXHAUST MANIFOLD",4TNV88-XBVB,,,
2,7,, "CAMSHAFT & DRIVING GEAR",4TNV88-XBVB,,,
2,8,, "CRANKSHAFT & PISTON",4TNV88-XBVB,,,
2,9,, "LUB.OIL SYSTEM",4TNV88-XBVB,,,
2,10,, "COOLING WATER SYSTEM",4TNV88-XBVB,,,
2,11,, "FUEL INJECTION PUMP",4TNV88-XBVB,,,
2,12,, "FUEL INJECTION VALVE",4TNV88-XBVB,,,
2,13,, "STARTING MOTOR",4TNV88-XBVB,,,
2,14,, "GENERATOR",4TNV88-XBVB,,,
2,15,, "GASKET SET & TOOLS",4TNV88-XBVB,,,

Silverhorn.CO.UK